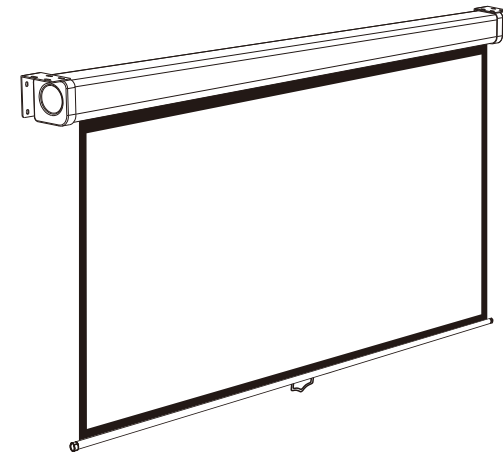


Grandview®

Instruction Manual for CN Series Manual Pull-Down with Speed Control Mechanism

Grandview®



Model CN-Sxx

Grandview Crystal Screen Canada Ltd.

#11- 3751 North Fraser Way,
Marine Way Business Centre,
Burnaby, BC, Canada V5J 5G4
Tel: 1-604-412-9777 Fax: 1-604-412-9796
Website: www.grandviewscreen.ca

Guangzhou Grandview Crystal Screen Co., Ltd.

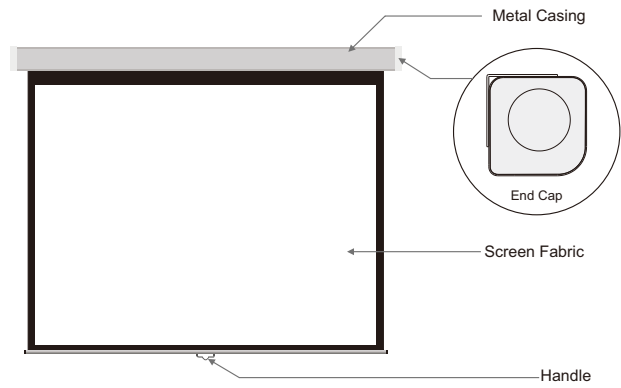
No.43,Guomao Road South, Hualong Town,
Panyu District, Guangzhou City, China
Tel: +8620-8489-9499 Fax: +8620-8480-3343
Website: www.grandviewscreen.com
www.grandviewscreen.com.cn



Thank you for purchasing a Grandview projection screen.

Before use, please read instructions carefully. After installation, store instructions for future reference.

Description



Accessories

■ $\varnothing 5 \times 60$ mm Anchor and bolts (8pcs)

■ Installation Manual (1pc)



Warnings

- The ceiling or wall used for fixture installation must be secure to prevent the screens from falling.
- Please read the following as any damage to the screen surface will affect the quality of the picture:
 1. Avoid contact or touching the screen surface as it may cause scratches or tears.
 2. Do not write or draw on the surface
 3. Clean the screen with a soft cloth and lukewarm water. Do not use any detergent or cleaning products.
- Roll up the screen after every use.
- Ensure that the screen is level when installing; do not pull on the sides or fold the screen.
- To prevent unnecessary damage, the operating and maintenance of the screen should be done by adults.



Ignoring the safety warnings may lead to injuries and/or damaging the product.



Fixtures should be installed in a secure place to avoid accidents or the screen falling.



Please contact your local dealer for repairs or maintenance. Please contact our company if you have any further questions. Avoid taking apart the fixtures yourself. Loose parts may cause the screen to fall.



Roll up the screen after every use. Leaving it hanging for a long period of time may cause the fabric to loosen.

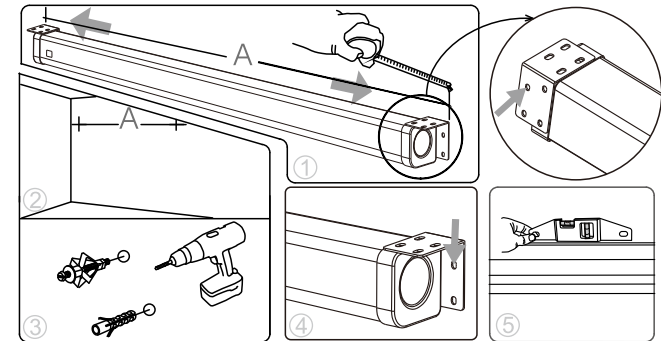
Do not take apart and replace with unknown parts. If there are any problems, please contact your local dealer. Product specifications are subject to change.

Installation

This projection screen should be installed at the best possible viewing position for the audience. Take out all the parts from the packaging and follow the accessories guideline to ensure you have all the parts. The parts needed will vary depending on which installation you choose to use. For installation on a wood wall or ceiling, use 5 x 60 anchors and screws.

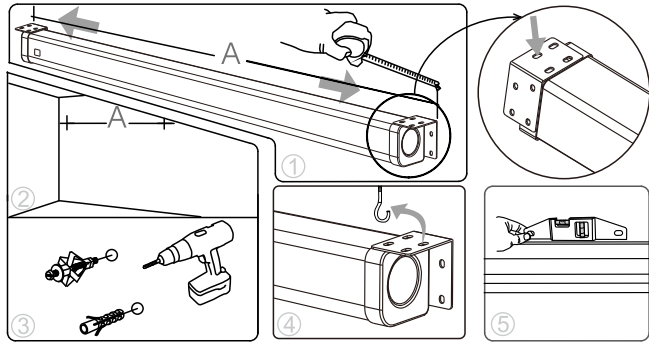
Wall Mount

Using a tape measure, measure the distance between the two keyholes on the casing (Figure 1). According to the measurement, use the drill to drill identical holes of the appropriate size on the wall (use a smaller drill bit than the actual screws) and ensure that it is level (Figure 2 & 3). Screw in the appropriate screws, either 5x60 by itself for wood walls or with anchors for drywalls, leaving enough space at the end to hang the casing (Figure 4). To ensure that the screen is level, use a level to check (Figure 5).



Ceiling Mount

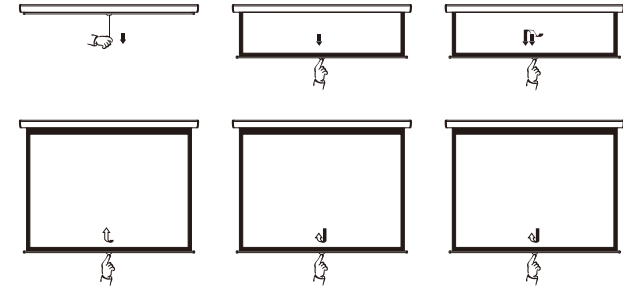
Using a tape measure, measure the distance between the two keyholes on the casing (Figure 1). According to the measurement, use the drill to drill identical holes of the appropriate size on the ceiling (use a smaller drill bit than the actual screws) and ensure that it is level (Figure 2 & 3). Screw in the hook screws (not provided), and lift the screen into the hook screws to hang (Figure 4). To ensure that the screen is level, use a level to check (Figure 5).



Instructions

Pull down to the desired height; pause for 3 seconds, and the screen will self-lock.

1. Use rope to pull down bottom rod until within hand reach distance.
2. Continue to pull down with hand to desired height, and then hold for 3 seconds.
3. To retract screen, pull down lightly to release locking system, let go and the screen will return to casing.



Wall/Ceiling Mounting Installation

