

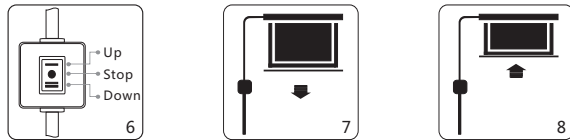
Operation guidelines

This electric projection screen is divided into two ways: manual control power switch and remote control power switch.(factory standard is manual control power switch)

1. Tear off the glue cloth fixed on the bottom rod, ensure the bottom rod is not stuck by the casing.
2. Connect to a power source (Please make sure it is the right voltage)
3. Turn the switch to position 2 to lower the screen; it will come down slowly. When it is all the way down, it will stop automatically.

Turn the switch to position 1 to lower the screen; it will go up into the metal casing. When it is all the way up, it will stop automatically.

To stop any time while the screen is in motion, turn the switch to ●



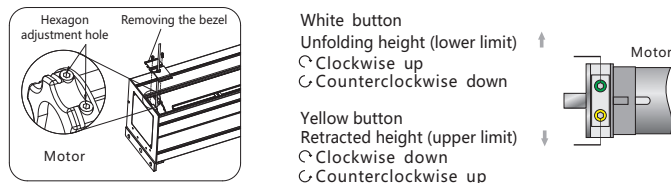
Automatic remote control (Please see section on Remote Control)



Cut off the manual switch and replace it with an external remote control kit (see Figure 9-10). For the wiring method and instructions of the remote control, please refer to the manual of the external remote control kit. For the package size, see Figure 11.

Method for adjusting screen retracted height (upper limit) and unfolding height (lower limit)

If due to installation environment or site limitations, it must adjust the limit height, It can bere byalized adjusting the motor button with a tool. Just remove the bezel on the power side to find the location of the motor.



Pay attention

To confirm the accuracy and security of the screen position, It is necessary to control the screen up and down after adjusting every half turn of the button, Check if the position is moving correctly

Be careful when adjusting the screen retracted height. Excessive adjustment will cause the lower rod to snap into the casing and cause serious damage to the screen or the lower rod falling!

Be careful when adjusting the unfolding height of the screen. Always keep the fabric 1.5 turns or more around the tube to ensure that the fabric does not fall.

Electrical parameters Voltage AC220-230V/50-60Hz,Current 1.5A

GRANDVIEW CRYSTAL SCREEN CO.LTD.

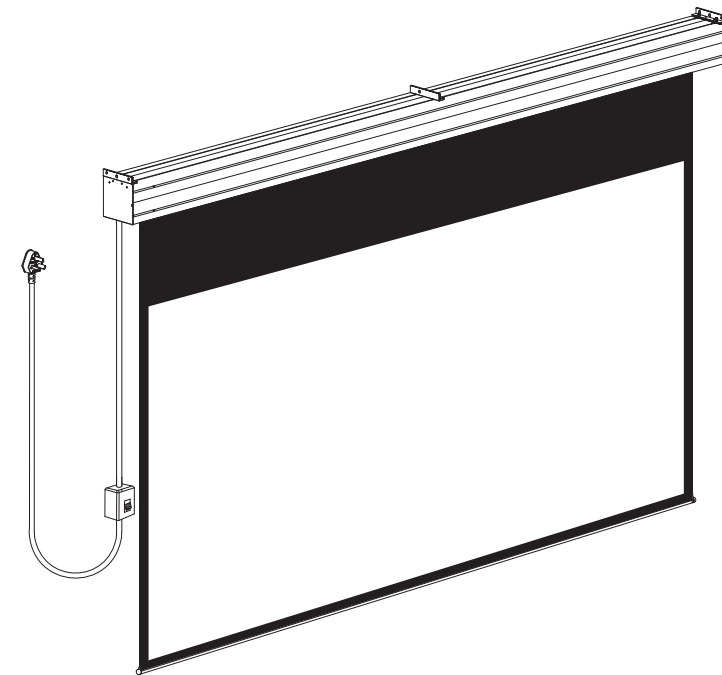
NO 43.S,Guomao Ave.Hualong,Panyu,Guangzhou,GuangDong.P.R.C

After sales service Tel:020-84899499

Grandview

Large Stage MBII Installation Manual

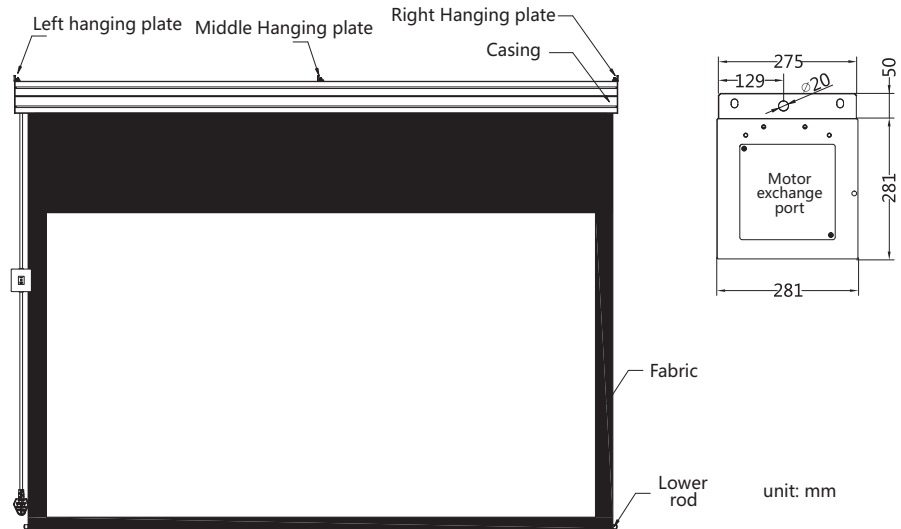
Model:LS-MBxxxII(xSxx)



Reminders

- Thank you for purchasing Grandview products. Please read the instructions carefully before installation and use, and collect it after reading for future use;
- This product must be installed by a qualified professional after the feasibility assessment the environment, electricity, structure, etc.;
- Do not disassemble or replace the original spare parts at will: If there is any fault, please contact the after-sales service department.

Screen structure



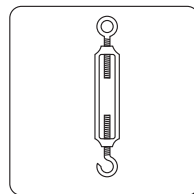
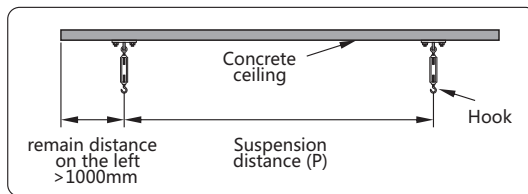
Accessories

- Motorized adjust tool (3)
- Shackle (3)
- Warranty Card (1)
- Instruction manual (1)

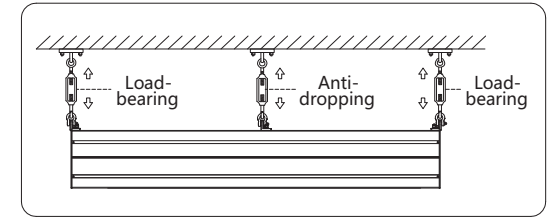
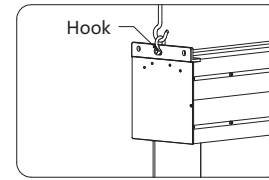


Suspension installation

Measure the horizontal spacing of the hanging plate and the length of the product to determine the installation position of the screen, and install three stable hooks on the solid concrete ceiling. Recommended hook type is adjustable.



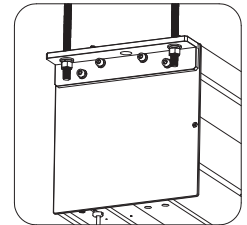
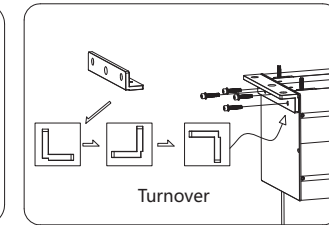
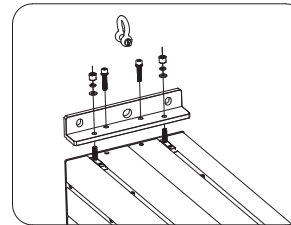
Hook the hook on the shackle of the left, middle and right hanging plate, adjust the length of the hook to the screen level, and complete the suspension installation



Screw rod installation

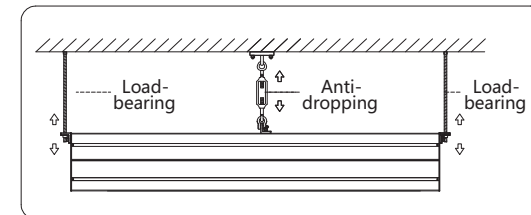
Note: The default factory setting of this product is suspension installation. If the customer needs screw rod installation, the installation method of the hanging plate can be converted!

Converting the hanging plate method: Remove the M10 screws and 8 nuts on the left and right hanging plate, take out the hanging plate and turnover to the corresponding end caps and fasten with screw.



Screw rod installation

Measure the spacing of the four oblong holes on the left and right hanging plate respectively. Install the M12 screw rod directly above the corresponding hole to connect the left and right hanging plate. Install an adjustable hook at the top of the screen to connect the middle hanging plate



Recessed installation (see photo to the right)

