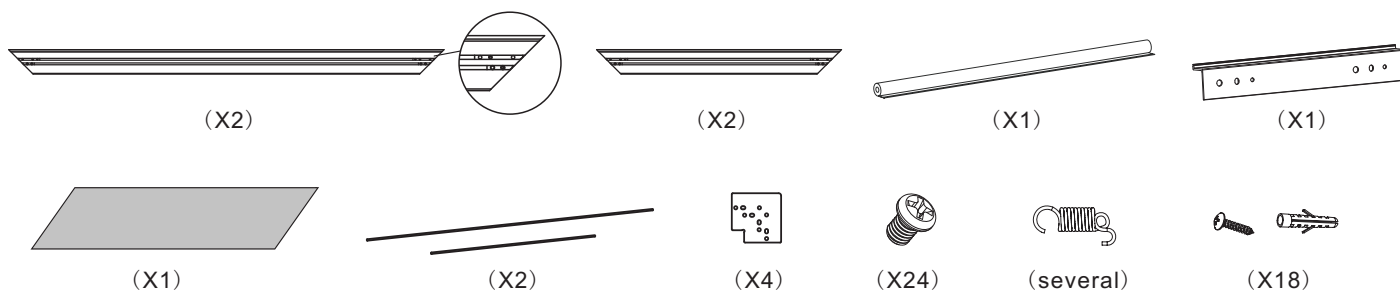
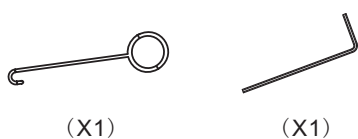




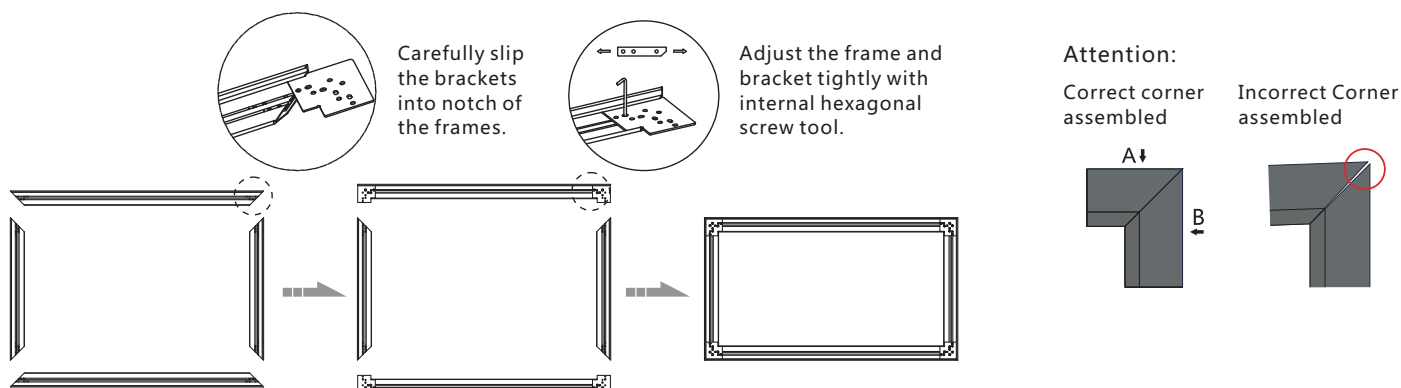
## What spare parts included:



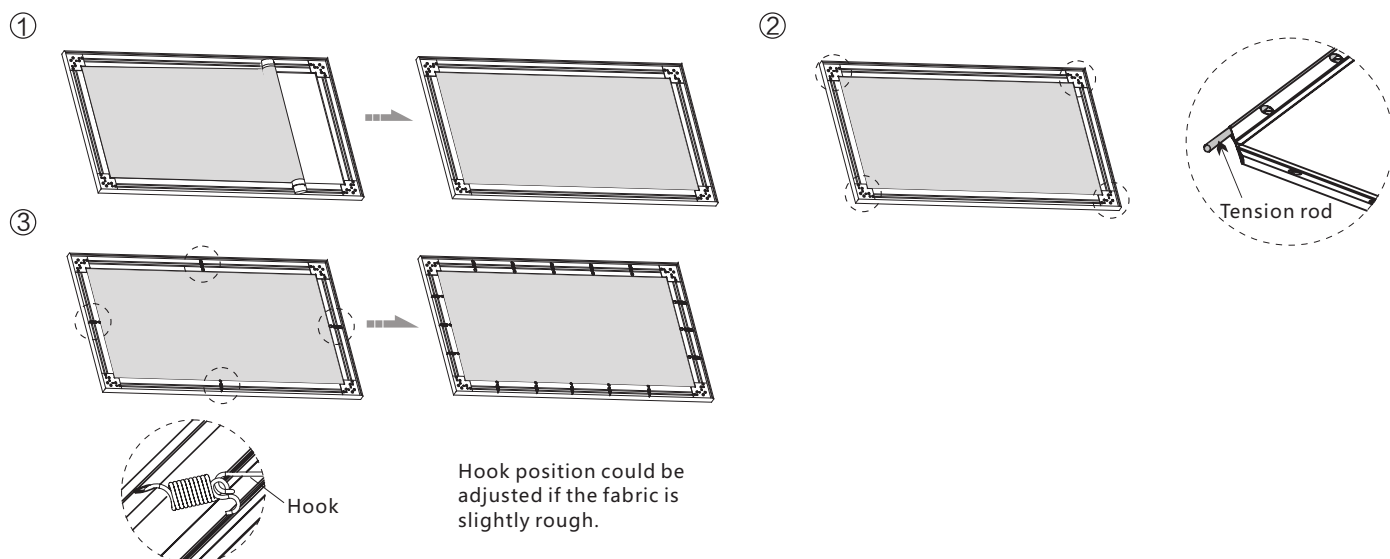
## What tools included:



## How to install the frame:

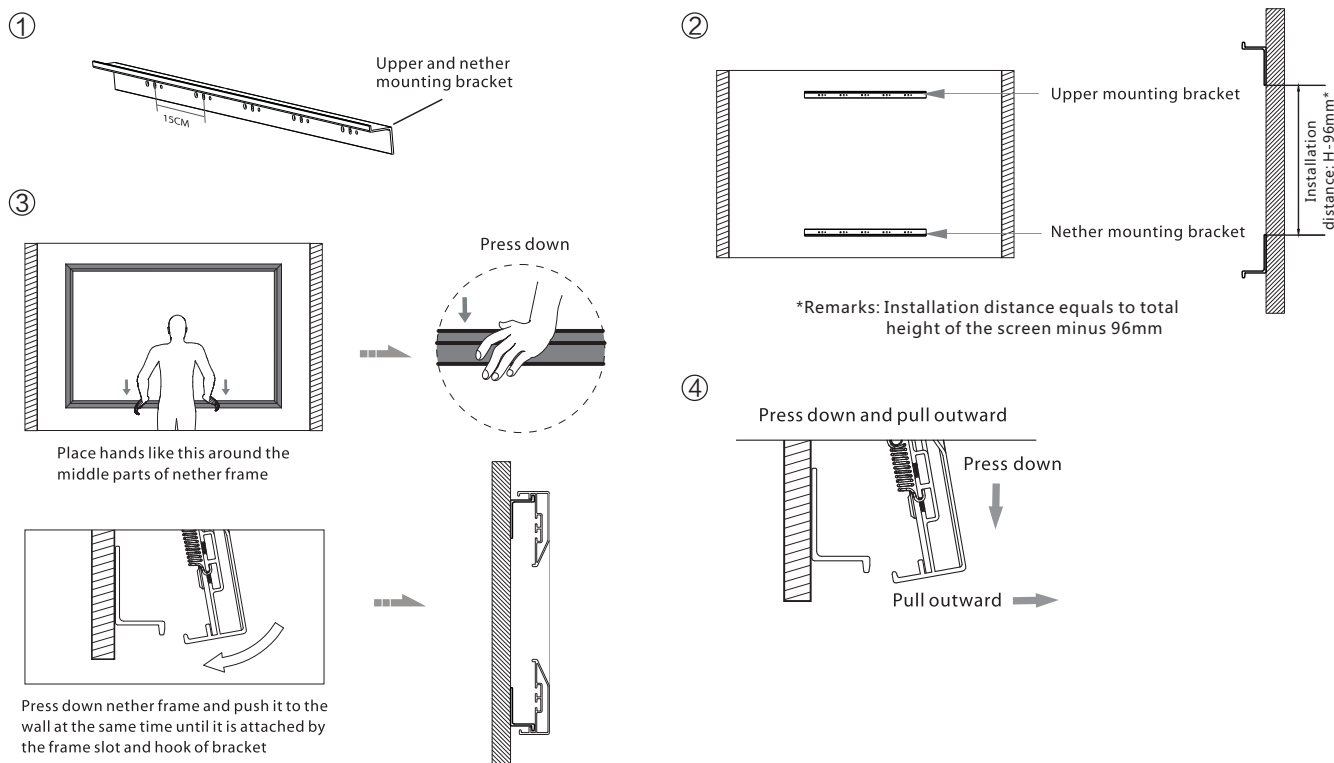


## How to mount the fabric :





## How to mount the screen:



## How to maintain the screen:

In order to maintain good performance of screen, please cover the screen with cloth if it is not used for a long term to prevent dust and dirt from screen. If there are apparent varies or dirt on screen material, please use soft brush or cloth to clean it.

## How to clean the screen fabric:

Rub gently according to grain of velvet frame with warm water mixed with soft detergent. (Please be noted that it should be gently rubbed instead of scrubbing hard). Please prevent from hitting the frame in case of damage of velvet. By finishing cleaning, let frames dry itself.

Please do not use any dissolvent, chemical agent or any tool with strong friction for clean, which would cause permanent damage to the screen.