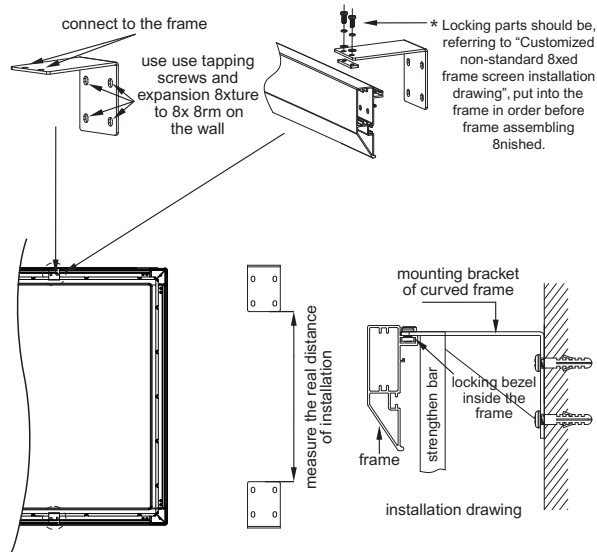


②

Installation of screen:

- Referring to "Customized non-standard 8x8 frame screen installation drawing", Firstly, connecting the mounting brackets to the frame, measure the installation holes of several mounting brackets accurately and draw lines and punch holes in the wall which is going to install. Then uninstall the brackets from the screen, use tapping screws and expansion 8x8 to 8x8 matched mounting brackets on the wall. Make sure mounting brackets are 8x8 8mm. Hand the screen onto upper mounting bracket and tighten the screws between the bracket and the frame.



Maintenance:

In order to maintain the screen, please retract fully the screen when it is not used. Before retraction, please check the front and rear side of screen fabric and make sure there is no apparent dirt, insects, or something else might affect the fabric material. If there are sundries or dirty, please use soft brush or cloth to clean it off.

Clean the screen material:

Please mix warm water with soft detergent to rub off the dirt on casing or fabric material. After rubbing, please use soft cloth or towel to get dry off it. Do not leave it dry by itself.

Please do not use any dissolvent, chemical agent or any tool with strong friction for clean, which would cause permanent damage to the screen.



Ultimate Fixed Frame Screen Manual

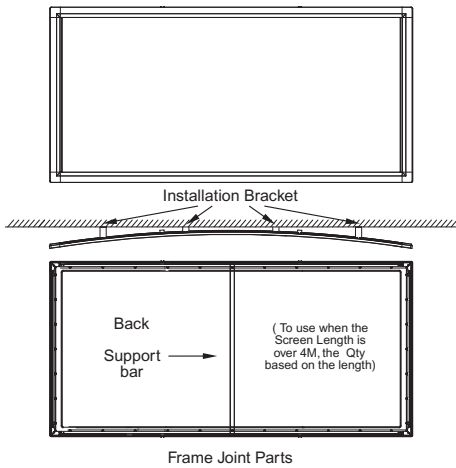
Model: PP-Gxx(R1)

GRANDVIEW CRYSTAL SCREEN CO., LTD.

Add: No. 43 South International Trade Avenue, Hualong Town, Panyu, Guangzhou, Guangdong, China
Tel: +86-20-84899499

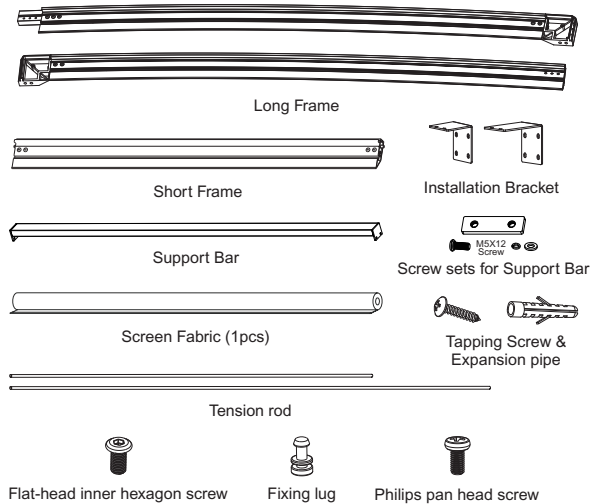
Dear Customer:

Thanks for your purchasing Grandview Prestige Flocked Frame Screen. Please go through the user manual before use. Please keep the user manual well for future reference.



Preparation before Installation

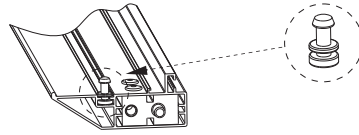
Installation Parts:



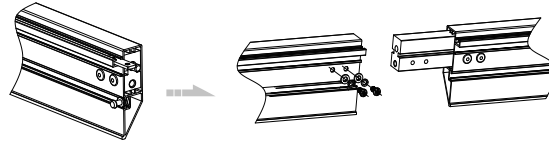
- Please prepare suitable tools before installation, such as gradienter, tape, marker, Spanner etc.
- Please measure the distance between the installation brackets accurately, mark and drill holes on the wall, then 8x the matching installation brackets to the wall with the tapping screws.
- Use the proper screws according to the site. (Use tapping screws for wooden wall and tapping screws with expansion 8xture for concrete wall)

Installation Details

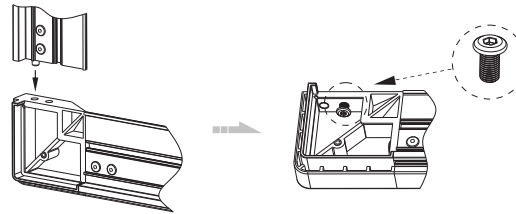
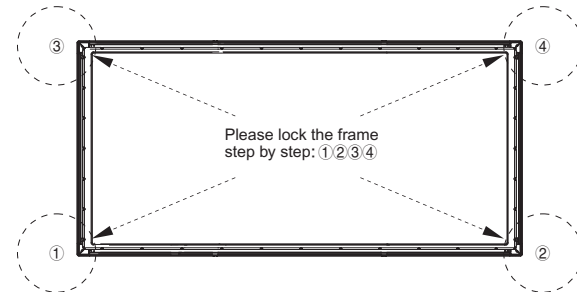
- Put a certain number of 8xing lugs into the slots of top and bottom bars, taking the following table as reference.



- * If the frame needs to be joined, please refer to drawing sent by Grandview for installation. And please insert the nuts, locker and snap lugs into the frame accordingly, and then join frames with the joint parts. (There is marks put on the frame, please check the marks and 8nish joining the frame.)

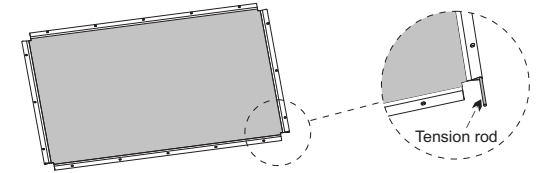


- Lay the two side bars and two concave bars on a horizontal ground, building the shape of a rectangle.

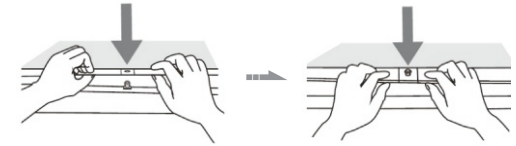


- Put the locating bracket into the corner side to match with screw holes on the frame properly, then fasten with the Flat-head inner hexagon screw.

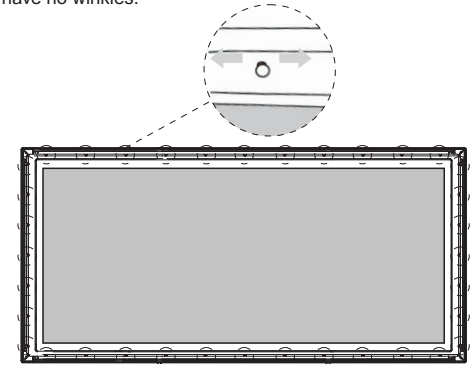
- Laying the fabric on the clean and level floor with reverse side up, lay the screen material flatly, then inset the tension rods into the four sides of the fabric (Suggest to do in two person's operations in case for ruining the fabric). As shown in the figure:



- Then, please lay the fabric flatly on the assembled frame (keep both fabric and frame with reverse side up). Adjust the distance between snap lugs. After all snap lugs go through screen material holes, then buckle as shown below:



- After buckle all snap lugs safely, please adjust the position of snap lugs slightly to make sure the fabric strength evenly, flatly and have no wrinkles.



- After adjusting the flatness of the fabric, please referencing "Customized non-standard 8xed frame screen installation drawing" to confirm the position strengthen bar. Use the hard rod to drag the inner locking bezel to the corresponding screw holes position, then lock the screws and 8nish installation.

- * Locking parts should be, referring to "Customized non-standard 8xed frame screen installation drawing", put into the frame in order before frame assembling 8nished.

