


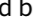
Motorized Tabletop Screen Installation Manual

Model: FC-FHP-Mlxxx

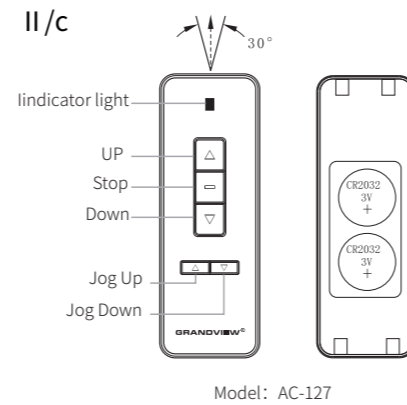
c. Infrared remote control

- Press the up button, the decorative door opens first, and the fabric rises;
- Press the stop button, the decorative door or fabric will pause;
- Press the down button, the fabric rolls back, and the decorative door is closed.
- Jog the up key and down key, the fabric moves up or down; Usually used in electronic stroke positioning settings.

Electronic Positioning:

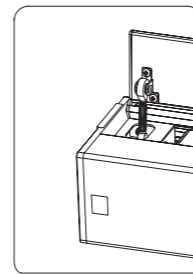
Press and hold the  button for 3 seconds, the motor will rotate forward and backward once, use the Up and Down button to position the projection screen to a desire position, press and hold the  button for 3 seconds, the motor will rotate forward and backward once signaling the position have been memorized.

*If projection screen does not extend to proper position, retract the projection screen fully, wait 5 seconds and try again.



III. Decorative door anti-pinch function

The decorative door of this product is equipped with a flexible door opening and closing device, which can protect hands or objects from accidentally extending into the screen when closing the door.



IV. Maintenance

Ultra-short throw ambient light rejection fabric:

- DO NOT USE RAG OR PAPER TOWEL TO WIPE
- Use brush provided to brush lightly horizontally along the texture of the screen to remove dust or other fine particles.
- For light-colored smudges that affects viewing, try removing with residue-free tape.

Non ambient light rejection regular throw fabric:

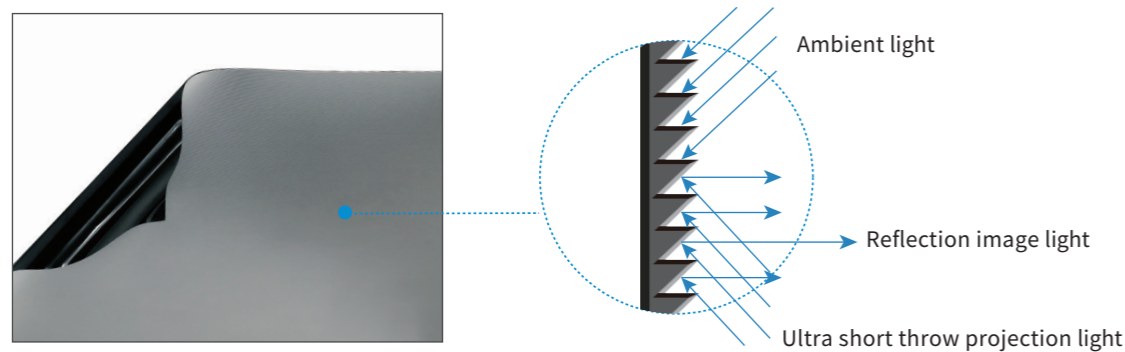
Use clean water with mild detergent to gently wipe the stains on the surface of the fabric (do not use corrosive detergents). Only retract the projection screen when the fabric is completely dry.

V. Electrical parameters

Voltages & Frequencies: 110V/60Hz or 220V/50Hz
(Actual voltage shall be subject to the electrical label shown on the product)

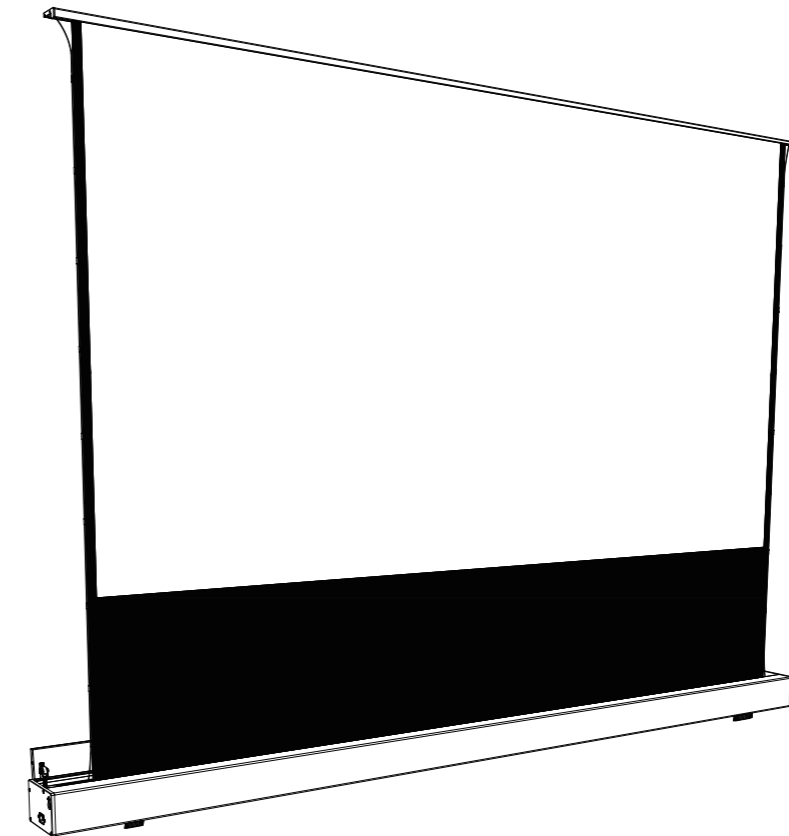
Troubleshooting

① Black grid fabric surface is carved with optical grating tooth, enabling the targeted reflection for ultra short throw projector light beam and forming the viewing image. Projection theory as below picture shown: Screen adsorbs only the ambient light from the top but resistance to ambient light from horizontal side will be weakened, please pay attention to the light beam direction when applied.



② The screen adopts the splicing process, and the splicing line has a certain curvature due to the source of upper and lower tension, which does not affect the actual projected picture, which is a normal phenomenon.

③ Fabric surface flatness: Lower black drop perfect range: 250-350mm

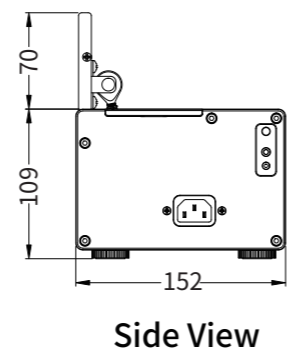
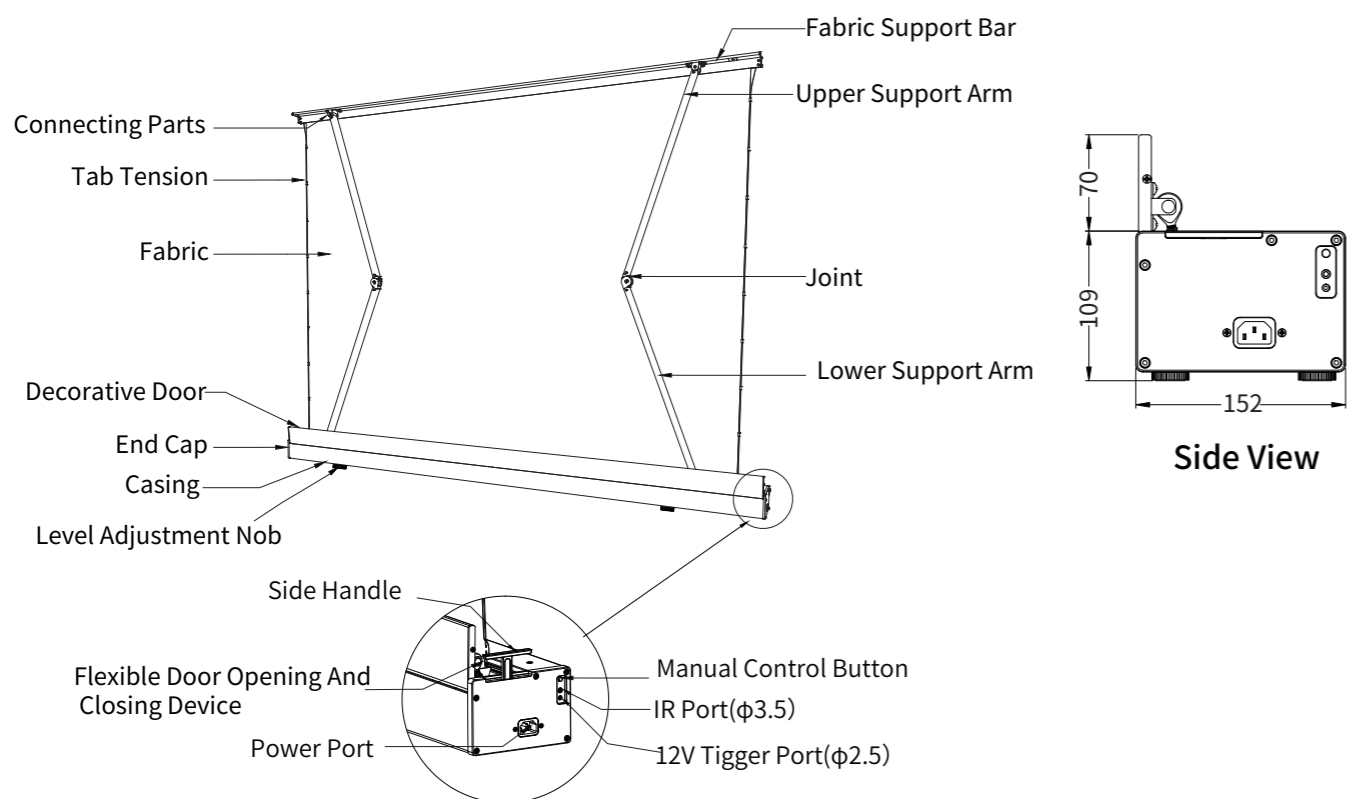


Caution

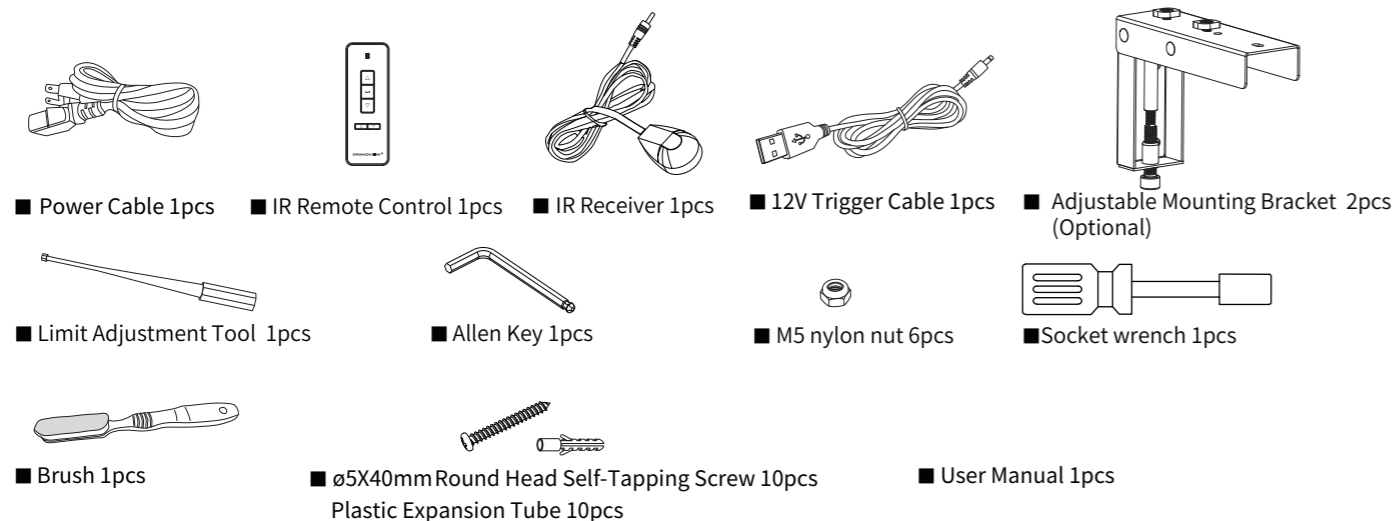
- Please tear out all the blue tape from the trap door before powering on.
- Please do not reach into the casing gap to prevent hands injury when the screen goes up.
- Please put the screen in place with no wind to prevent it from falling over.
- Please Do not disassemble or replace the original spare parts at will.

Thank you for choosing Grandview products. Please read the manual carefully before installation and use.

Screen structure diagram



Accessories



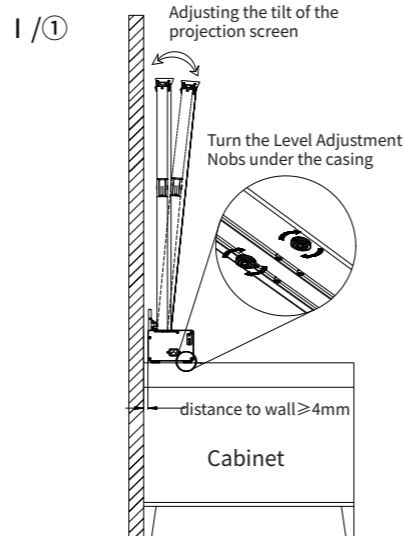
I .Screen Installation Guidelines

① Scenario 1

Lay the projection screen flat on the cabinet: leave at least 4mm of room from the wall for the decorative door's operation. Fully extend the projection screen using the remote, adjust the tilt of the projection screen using the Level Adjustment Nobs under the casing.
Caution: Projection screen might tip over if there is too much tilt.

② Scenario 2

a. Measure the total length of the casing, measure the height where the bottom of the projection screen will be placed, and mark it on the wall. See value "A" on the table for the recommended distance between the two Adjustable Brackets. Line up the top of the Adjustable Bracket with the bottom of the projection screen (mark that was made on the wall).

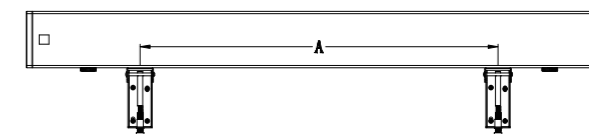
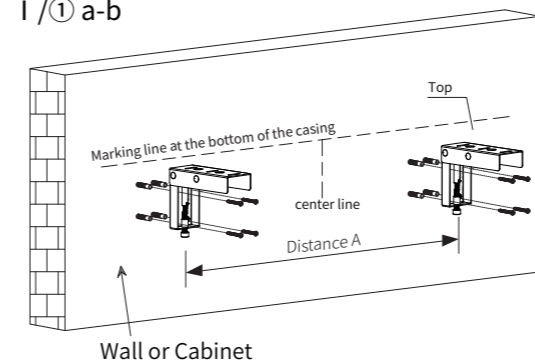


b. Drill the 4 holes for each bracket on the wall, install an Expansion Fixture in each hole. Place the Adjustable Brackets against the wall lining up with the Expansion Fixtures and tighten using φ5*40 Tapping Screws.

c. Adjust the T-slot bolt on the Adjustable Bracket so that they are parallel with the wall (see diagram), place the projection screen on the Adjustable Brackets, adjust the projection screen horizontally to the desired position, tighten the T-slot bolt from under the Adjustable Brackets to lock in place. (T-slot bolts are installed for front installation in default, user can install the T-slot bolt to the Reverse Mounting Holes when needed for reversed installation)

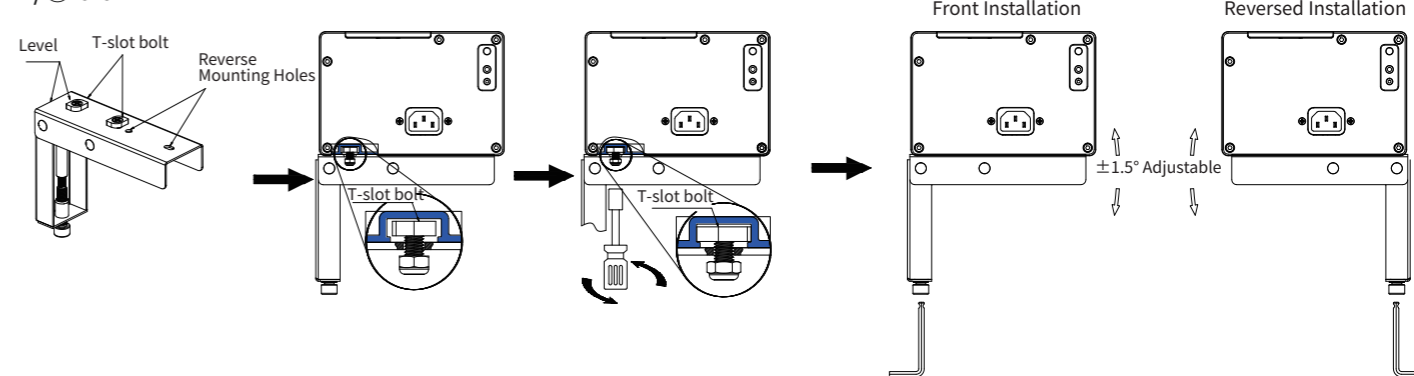
d. Connect to power, fully extend projection screen; observe for tilt, adjust tilt using the Allen Key to desired position to finish installation.

I / ① a-b



size (diagonal)	92" (16:9)	100" (16:9)	110" (16:9)	120" (16:9)
Distance A (mm)	1630	1810	1910	2130

I / ② c-d



II .Functions and Instructions

This product has three control methods

- Manual Control Button
- 12V Tigger Control
- RF Remote Control

a. Manual Control

The Manual Control Button is located on the power port side of the casing. Pressing the button will command the screen to extend, pressing the button will command the screen to stop, then again to retract, then stop in sequence.

b. 12V Tigger Control

Connect the 12V Tigger Port and the 12V port with a 12V trigger cable; the projection screen is then synchronized with the projector (when the projector is powered on, the screen will automatically extend to set position; when the projector is powered off, the screen will retract).

II / a-b

