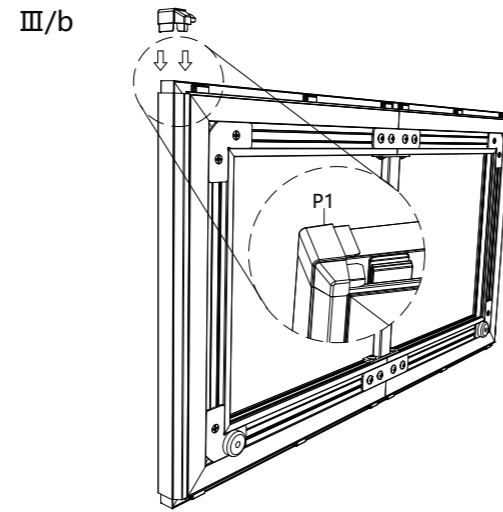
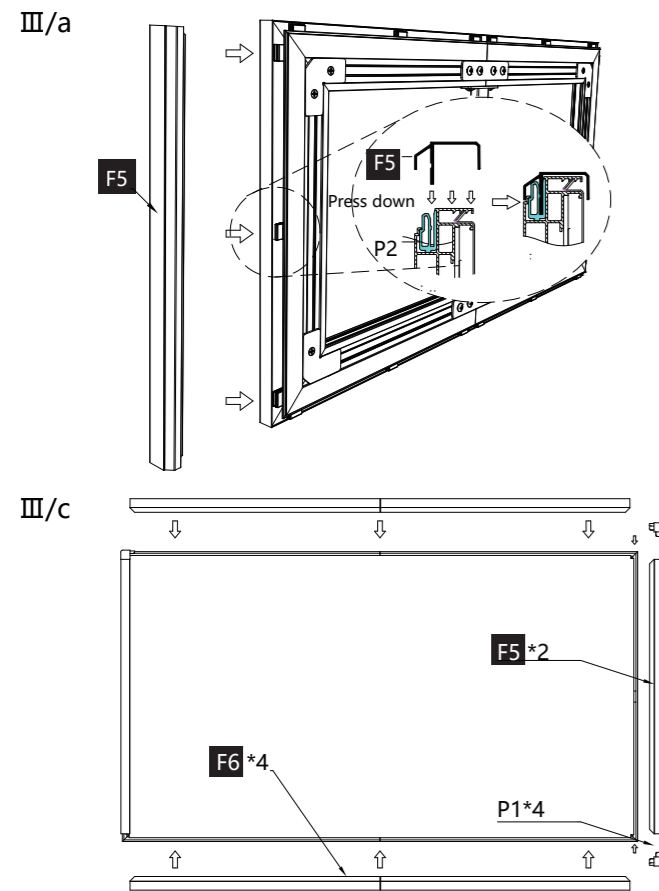
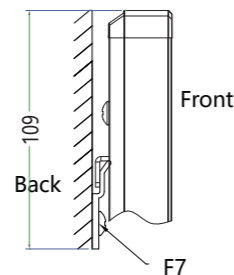
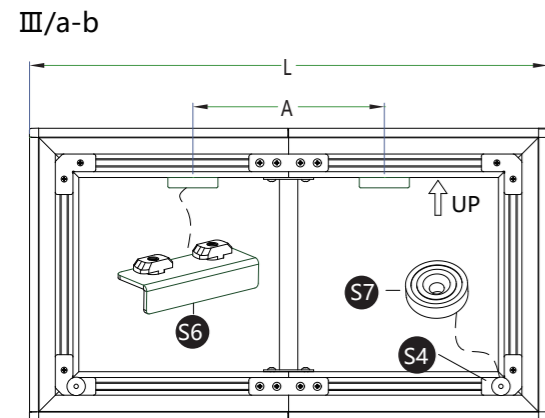


III Frame assembly (F5, F6, P1, P2)

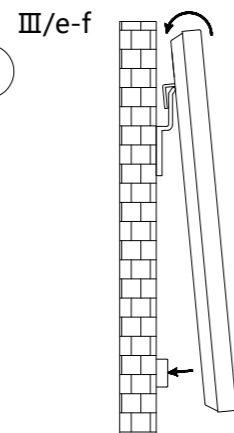
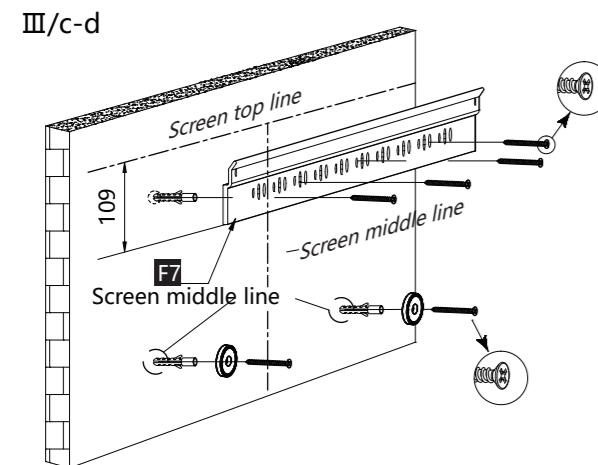


- Raise the screen, rotate F5 to the correct direction, align with the installation slot of P2, and press down slightly with a tool. Each frame is fixed with three P2 (all need to be pressed to the bottom to complete the fixing).
- Slide the frame to the center and insert P1 into the end face of F5, then install the adjacent frame.
- Connect the plastic corner guard P1 to the frames (F6, F5) in order to complete the installation of the frame.

IV Wall mount (F7, S6, S7)



- Flip the screen to ensure the correct orientation (for ultra-short-throw anti-glare screens). Install S6 in the upper frame slot (note that the hook should face the back). The installation spacing $A = 0.52 * L$.
- Attach S7 strong magnets to the sides of S4 at the bottom and mark them.
- Calculate the screen installation position, mark the highest line of the screen and the vertical centerline. The highest line of the screen is marked 109mm below the F7 bottom reference line.
- Align F7 with the bottom reference line, mark the installation hole positions, drill holes, insert expansion glue particles, and secure with $\varnothing 5 * 50$ screws.

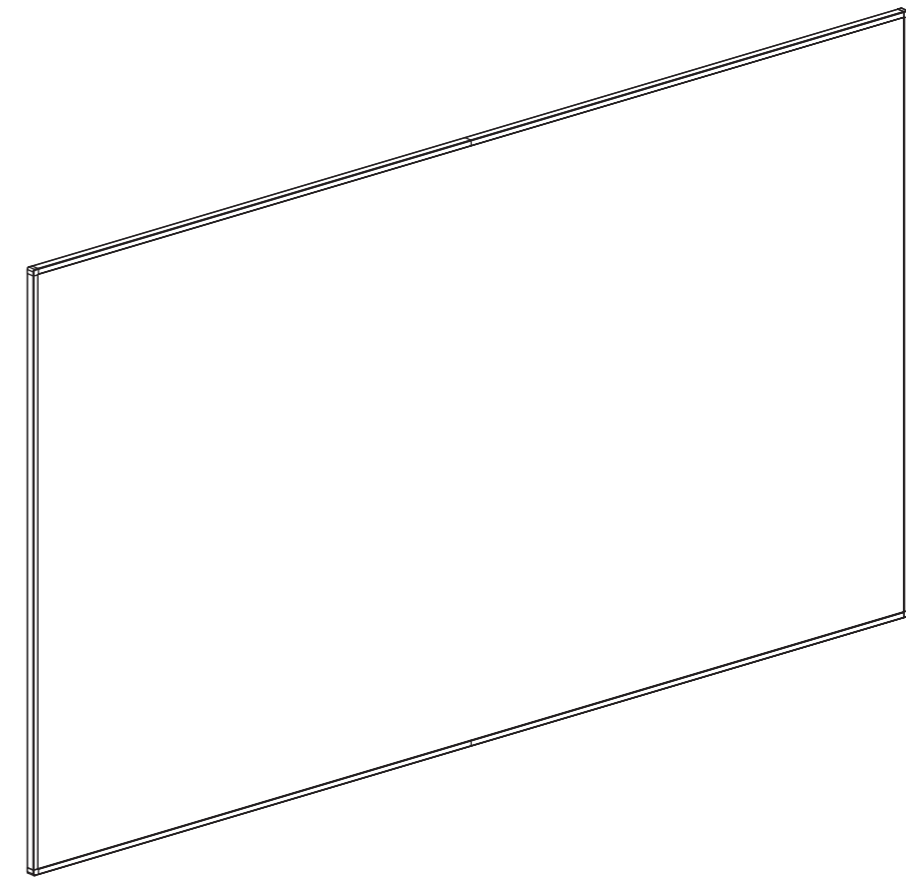


- Two people lift the screen simultaneously and hang it on the groove of F7. Move it left and right to the desired position, then mark the position of the strong magnet. Remove the screen, drill installation holes, insert expansion glue particles, and secure with $\varnothing 5 * 50$ screws.
- Hang the screen back up, move it left and right to the magnet position, gently place the screen, and complete the wall-mount installation of the screen.

Grandview

Edge-Lite Fixed Frame Instruction Manual

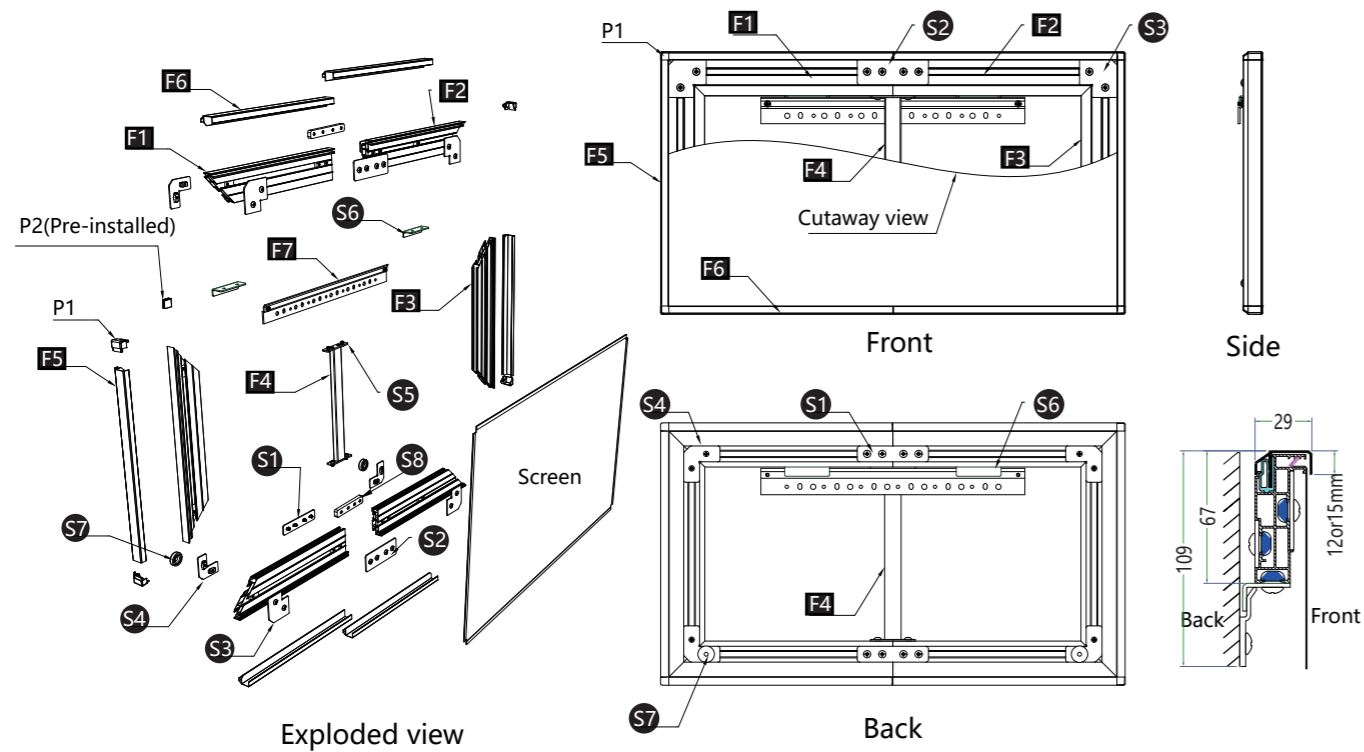
Model: PE-Yxxx(R7)15
PE-Yxxx(R7)12



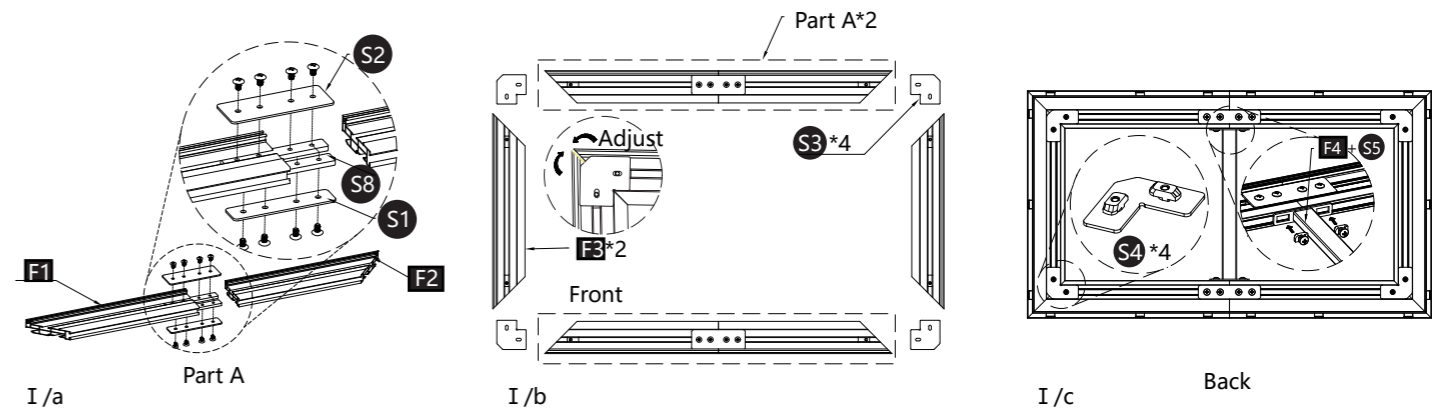
Reminder

- Thank you for choosing Grandview products. Before installation and use, please read the instructions carefully and keep them for future reference
- Please assemble the screen in a flat and clean area, which is beneficial to protect the screen fabric and ensure the assembly effect of the frame
- The edges of the screen frame are sharp, so please protect your body during assembly to prevent cuts.
- If you have purchased an ultra-short-throw anti-glare screen, please pay attention to the orientation of the screen during installation.

Diagram



I Inner frame assembly (F1, F2, F3, F4, S1, S2, S3, S4, S5, S8)

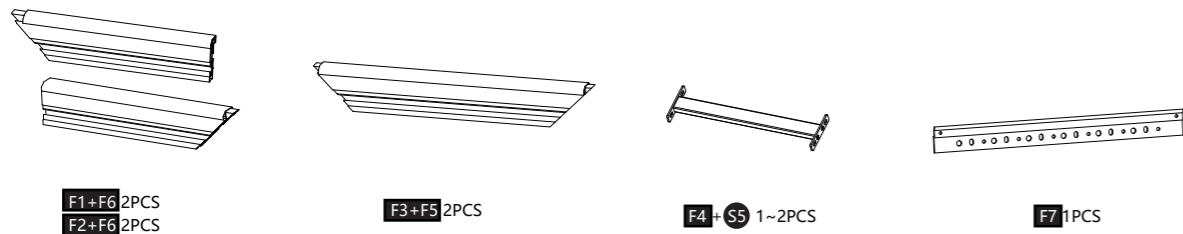


- Take components F1 and F2 and place them left and right respectively, merging the two vertical notches. Use M5*8 screws to tighten S1 and S2 onto S8, completing the assembly of component A.
- Take two component As and two F3s and place them opposite each other to form a rectangle. Insert S3 into the profile slots at the four corners, adjust until the gap between the seams is minimized, and then lock the screws in place to complete the front frame connection.
- Flip the assembled frame so that the back is facing up. Place F4+S5 at the center of the frame and use a boat-shaped combination screw to connect the reinforcement bar. Use S4 to adjust the nuts on top so that they fit into the recesses at the four corners, then lock the screws to reinforce the back of the frame and complete the installation of the inner frame.

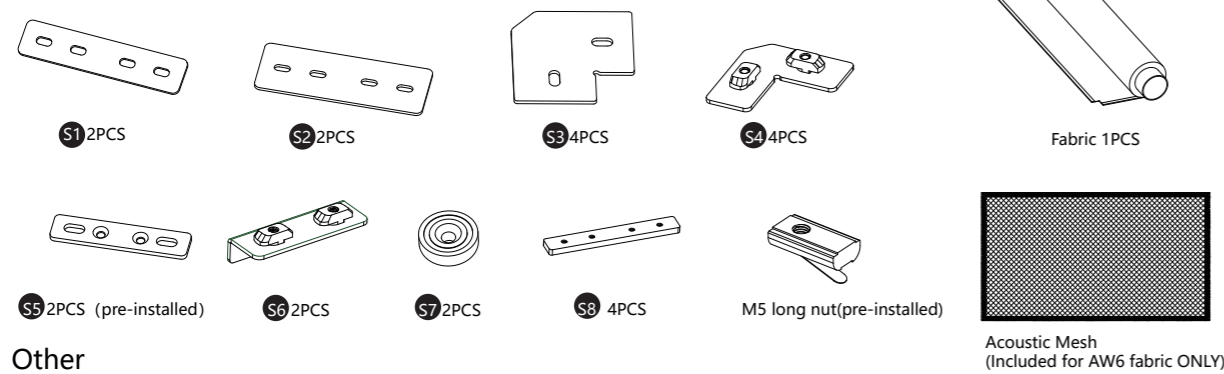
Screen components

Please check whether all the components of the silver screen are complete before assembly. Some nuts and accessories have been pre-installed, and the extra screws and accessories are for backup in case of damage during the installation process.

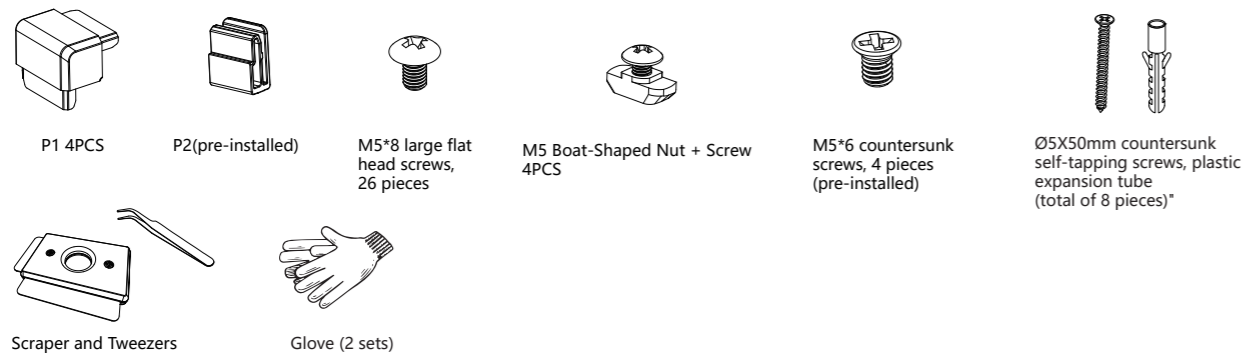
Frame set F



Lock set S

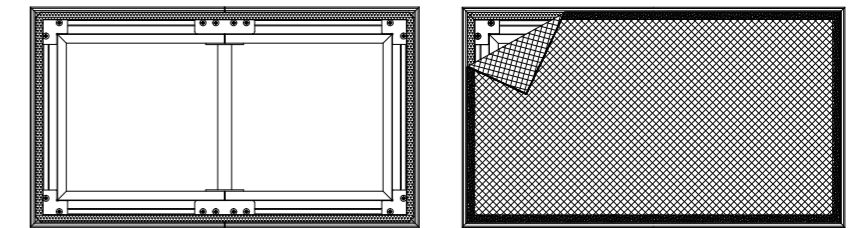


Other

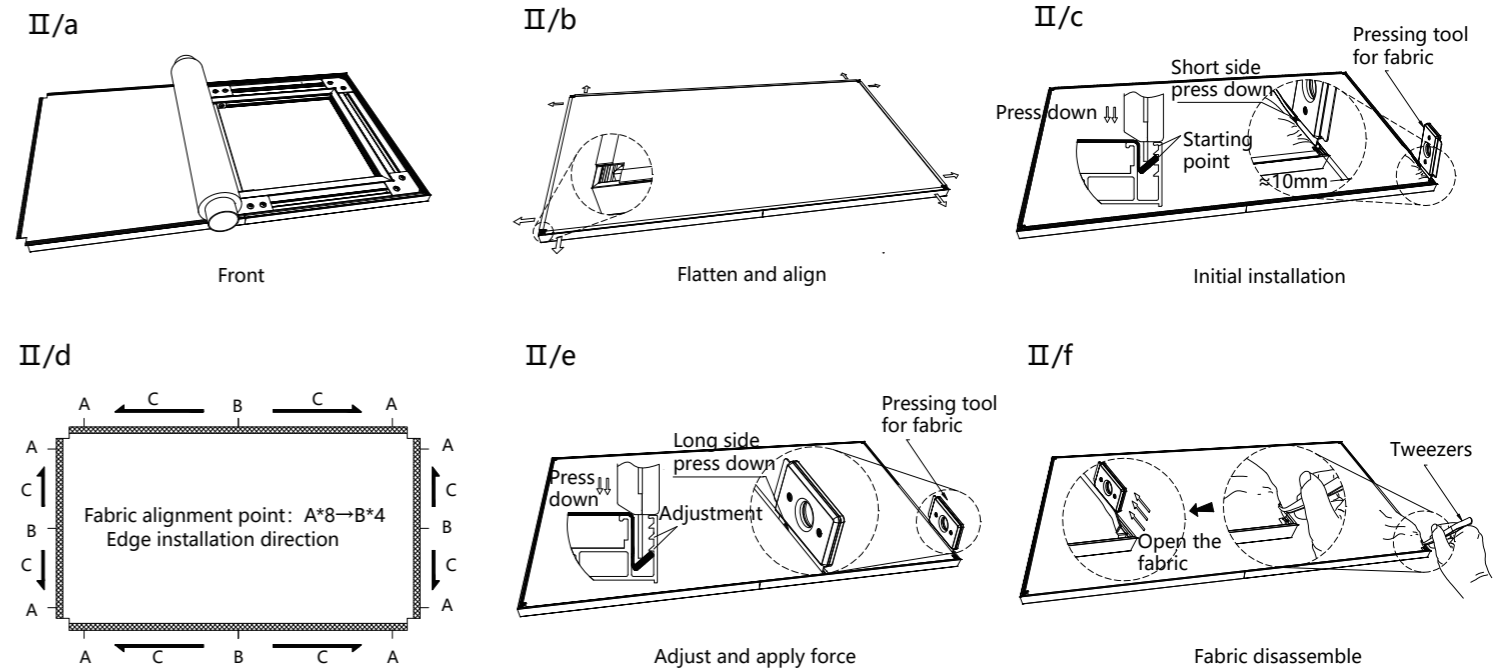


Acoustic Mesh

When you choose woven acoustically transparent screen fabric, you need to install the black acoustic mesh. Simply use the pre-installed Velcro to attach the acoustic mesh to cover the frame.



II Fabric installation



Installation method

- Flip the frame over so that the front side faces up and place the fabric on the highest surface of the frame. Rotate the winding tube to completely flatten the curtain.
- Pull the fabric outwards to completely cover the frame, aligning the fabric with the frame.
- This fabric installation method is a card slot type, which requires a closing tool to be used to press the edge of the card slot into the sawtooth groove of the frame to secure the fabric. During initial installation, lightly press the short side into the frame and adjust with pressure on the long side after all four sides of the fabric have been pressed into the frame.
- Installation details: Press lightly with a closing tool at about 10mm from the edge of the fabric into the sawtooth groove. The installation sequence is first "point" and then "edge"; first press the four corner points A, then press the middle points B to position the curtain, and then press the remaining C "edges" from the center outwards to secure the fabric.
- Level adjustment: If it is found that there is not enough tension in some parts of the fabric after it is fixed, you can use a closing tool to press the card slot down to increase tension on the curtain.
- If there are wrinkles that cannot be flattened, you can use tweezers to lift the edge of the fabric at each of the four corners, clamp it, and then use a closing tool to open and reinstall the fabric.