

Grandview

Product Manual for Hidetech Series Ceiling-mounted Tab-tension Screen

Model:HT-M1xx
HT-MFxx

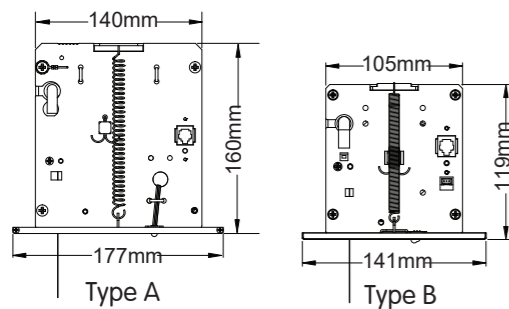
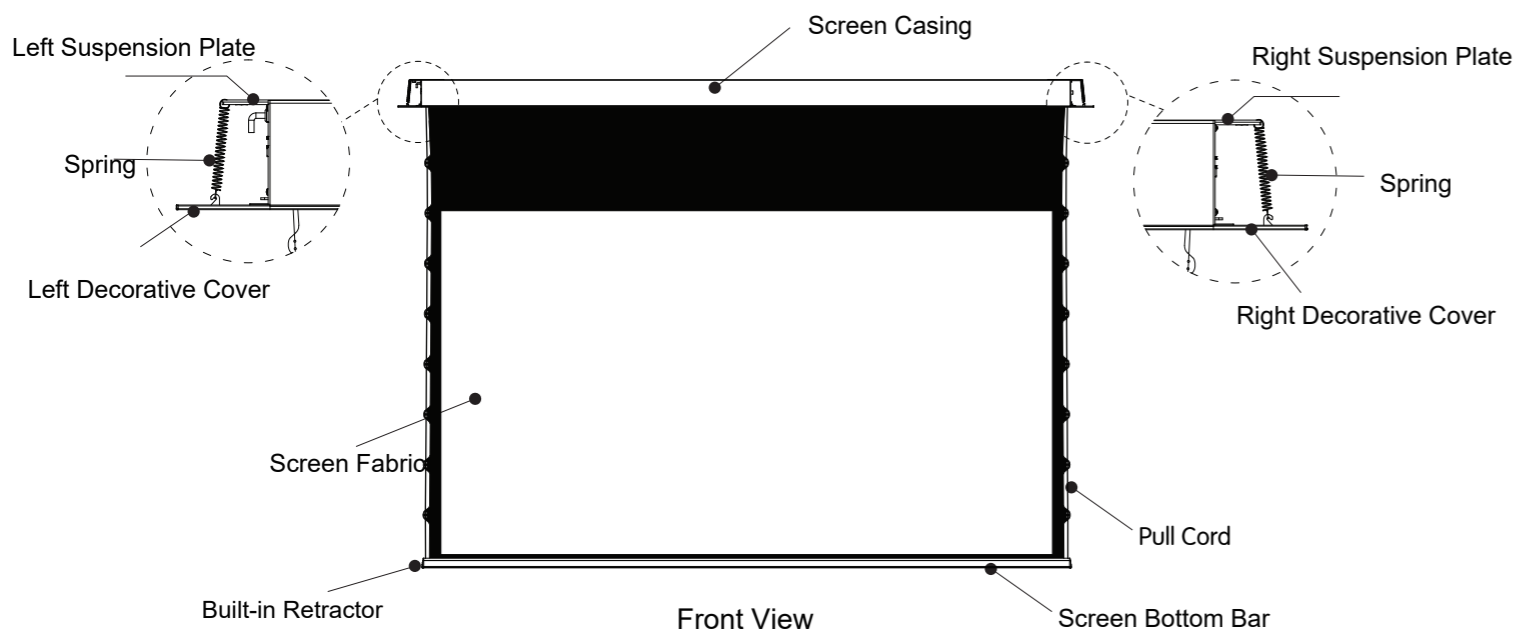
Grandview



Caution

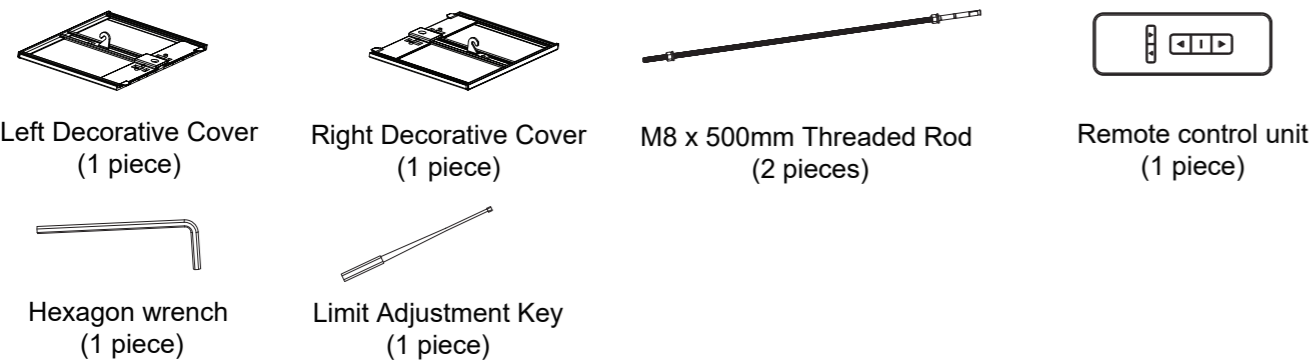
- When you select the ultra-short throw ambient light rejection screen, the standard configuration for the projector is table-top projection, which is determined prior to production. For customized requirements, it can be altered to ceiling mount projection.

Screen Structure Diagram



Ceiling Opening Dimensions: The length of the opening $L_t = \text{total length of the screen } L - 25\text{mm}$, the width of the opening 115mm, height >120mm

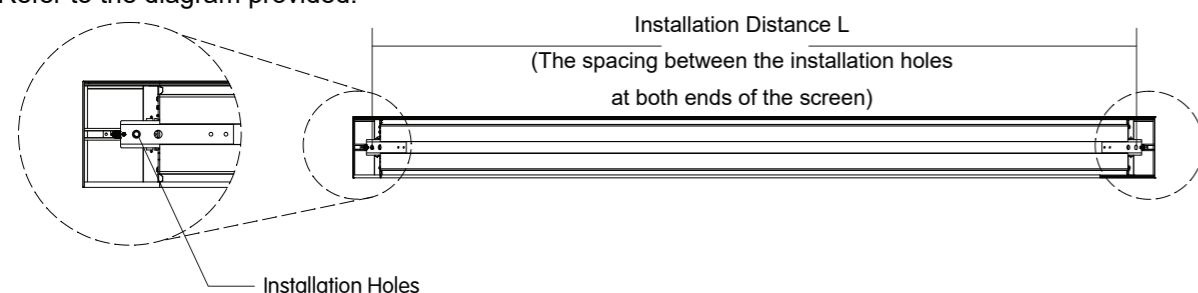
Accessories



Installation Steps

Confirm the installation distance based on the position and height of the ceiling opening, drill vertical installation holes, insert expansion screws, screw the rod into the expansion screw, and fasten the rod. Cut the rod to the vertical distance from the installation wall to the ceiling decorative surface: Type A: 120-130mm, Type B: 80-90mm.

Refer to the diagram provided.



Screen Maintenance

To ensure long-term viewing of the best screen quality, please retract the screen into the casing when not in use. Before retracting the screen, check the front and back of the screen to ensure there is no obvious dust, insects, or other debris. If there is any obvious debris or dirt on the screen surface, gently wipe it away with a soft cloth.

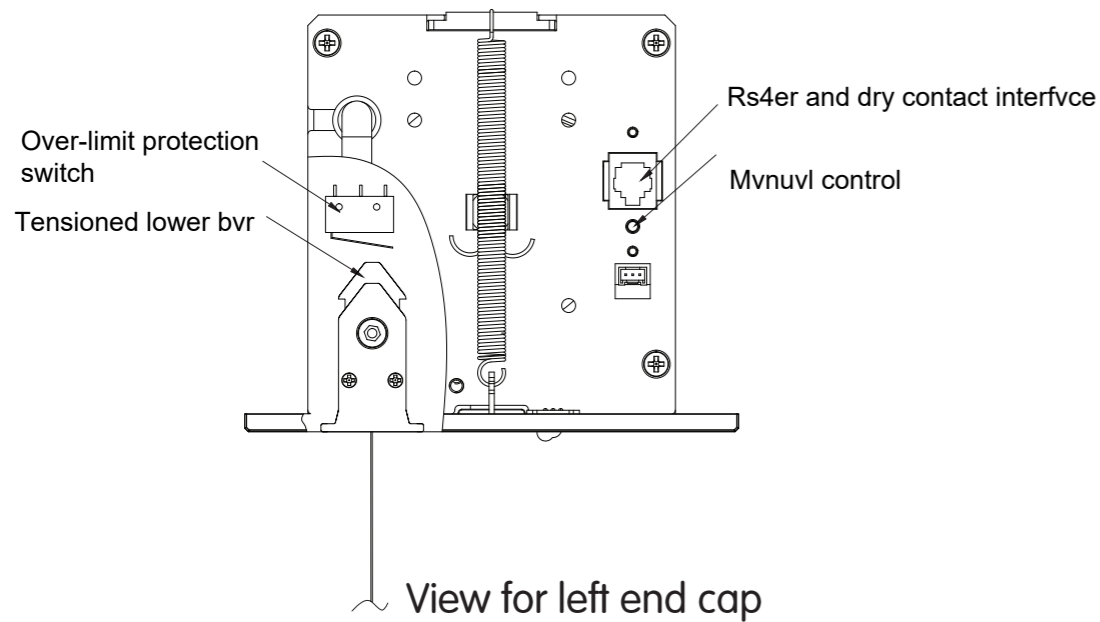
Cleaning the Screen

Use warm water with a mild detergent to gently remove dirt and marks from the screen casing (remember to wipe gently, not forcefully) or the screen fabric surface. After wiping, immediately dry it with a soft cloth or towel; do not let it air dry naturally.

Do not use any solvents, chemicals, or abrasive cleaning agents, as these will cause permanent damage to the screen

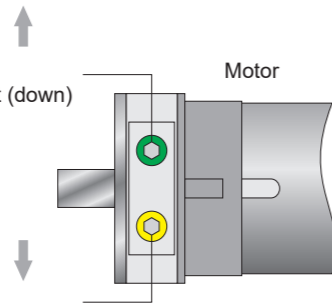
Setting the top/bottom limit:

If have to adjust height limit for installation environment reasons, you can adjust the limit setting by using a provided adjustment bar insert into the adjustment hole which on the left down area of motor. As below figure:



Green knob:
Retraction height (lower limit)

- ↻ Clockwise adjustment: increase limit (up)
- ↻ Counterclockwise adjustment: decrease limit (down)



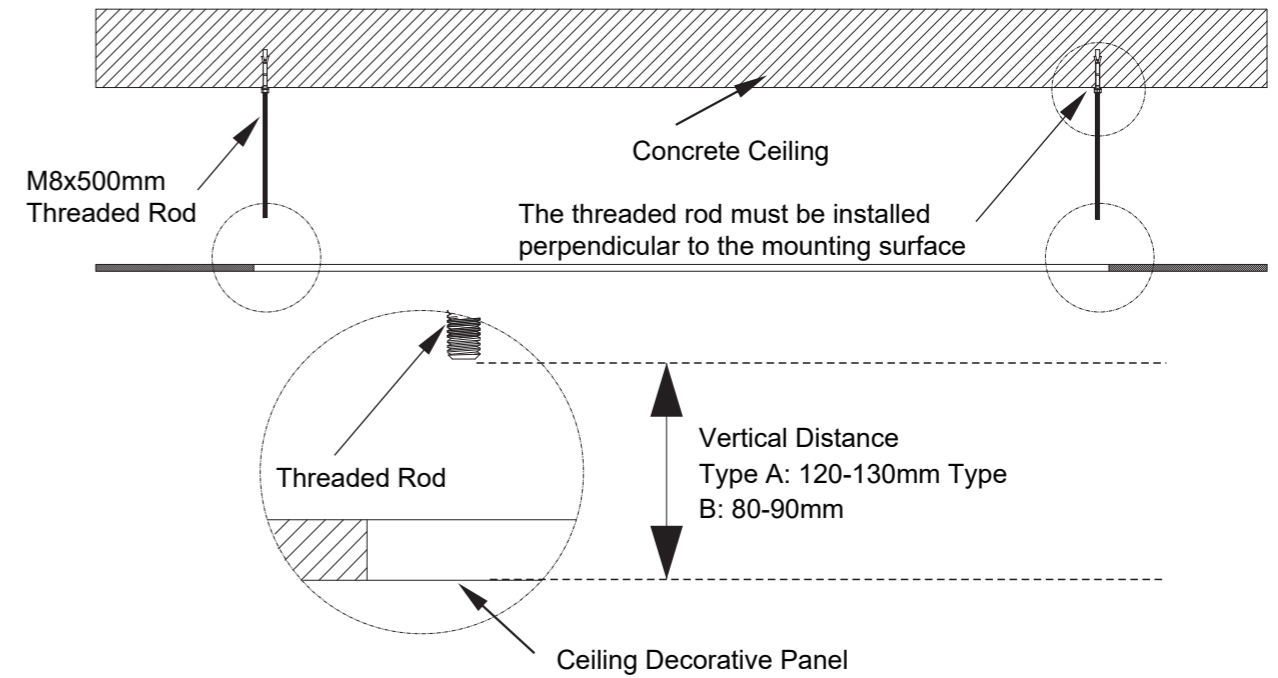
Yellow knob:
Extension height (upper limit)

- ↻ Clockwise adjustment: decrease limit (down)
- ↻ Counterclockwise adjustment: increase limit (up)

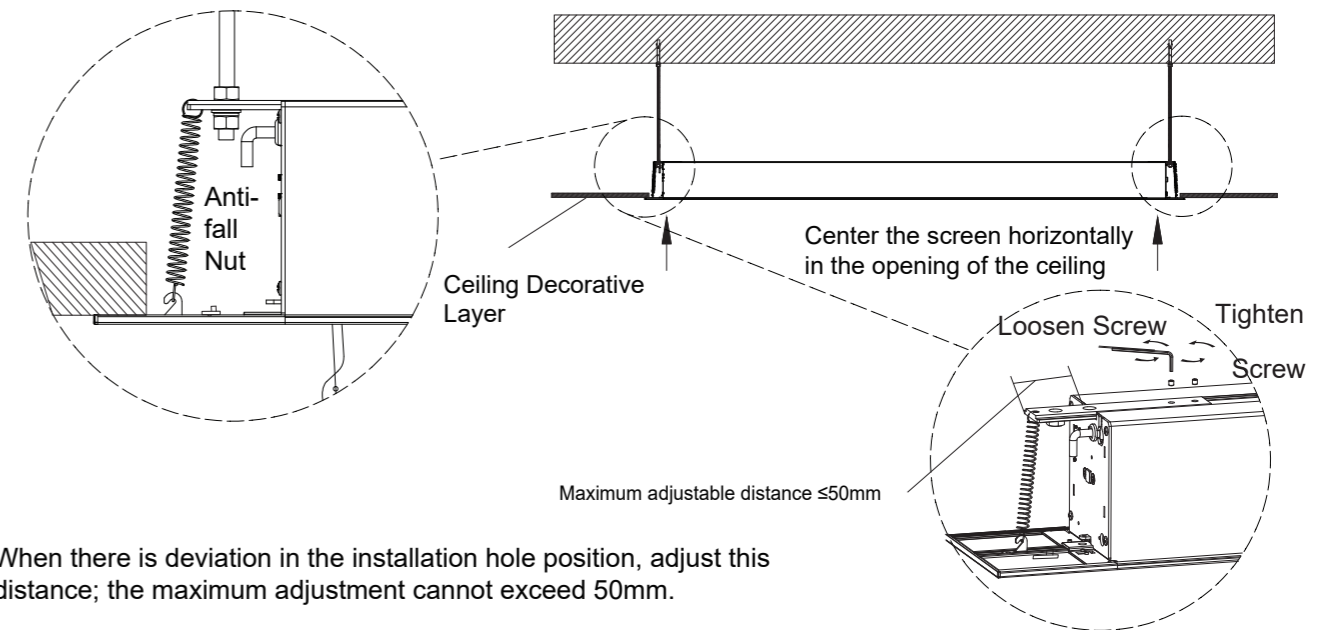
Note:

Please operate carefully, in case of screen overretract causing motor or screen damage. While extending more fabric, please add blackboarder within 10CM or it will cause fabric break and fall.

Screen: Voltage AC220-230V/50-60HZ, 0.5Amp, power 100watts. RF remote (F): Voltage 3V, use CR2032*2 battery; Radio Frequency: 868MHz
IR remote : voltage 3V, use CR2032 battery



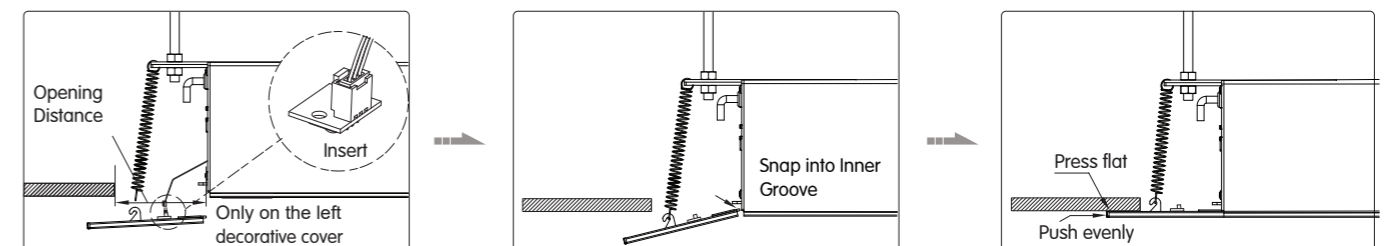
- Lift the screen with caution, guiding the threaded rod through the suspension holes on each side. Attach and secure the screen with nuts and washers, then use tools to evenly tighten the nuts on both sides until the screen is firmly positioned against the ceiling.
Anti-fall Nut



- When there is deviation in the installation hole position, adjust this distance; the maximum adjustment cannot exceed 50mm.

Decorative Cover Installation

- Install the left decorative cover on the end with the power cord by following the illustrated steps below. The procedure for installing the right decorative cover mirrors this process.

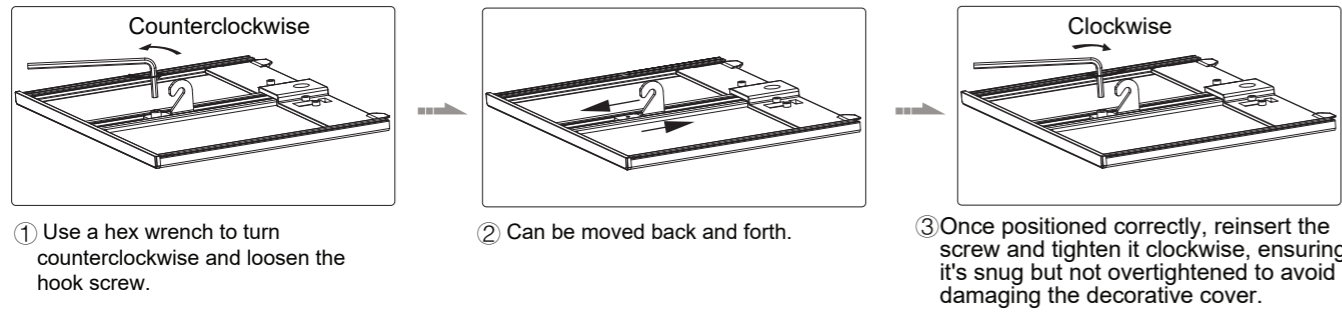


① Before beginning the installation, confirm that the opening has enough clearance. Connect the infrared line, then lightly stretch the spring, and attach it to the decorative cover's hook through the spring's circular opening.

② Slide the two tabs of the left decorative cover into the corresponding grooves of the casing. Engage the tabs into the inner slot

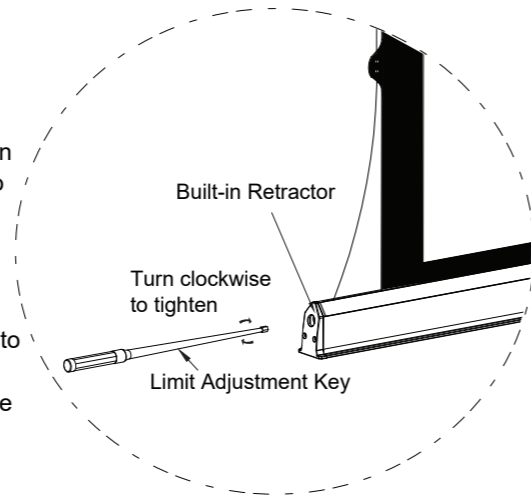
③ Press the left decorative cover smoothly against the ceiling, ensuring its level with the casing on both sides, then push directly towards the wall until it's aligned with the casing.

- The hook position on the decorative cover can be adjusted as follows.



Screen Tension Line Adjustment

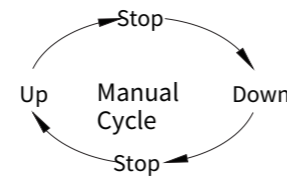
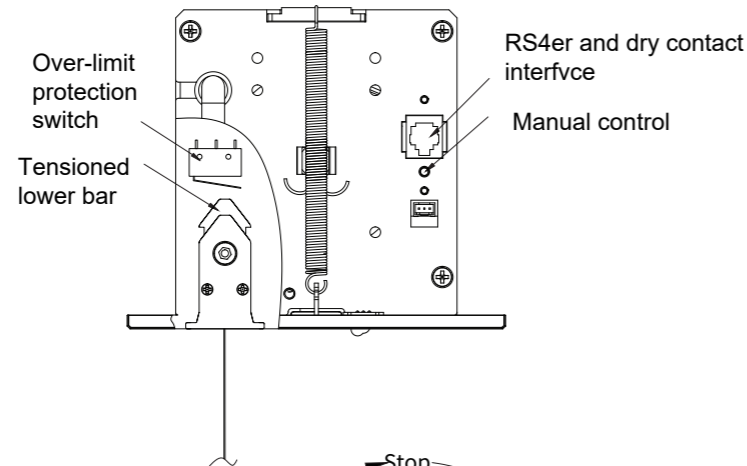
Hold the bottom bar firmly with your hand, take the limit adjustment key, and align its smaller end with the hexagonal hole inside the retractor. Gently press inward to adjust the tension shaft until it can rotate freely (turn clockwise to tighten, counterclockwise to loosen), adjust the tension line to the required tightness, release the pressing force to let the shaft pop out and reset, completing the adjustment. Grasp the bottom bar securely, insert the smaller end of the Limit adjustment key into the hexagonal opening of the bottom bar, and apply gentle pressure to engage. Adjust the tension shaft by rotating (clockwise to increase tension, counterclockwise to decrease) until it moves freely. Set the desired tension, then release the key to let the shaft reset, finalizing the adjustment.



Functions and Instructions

This product has four control methods.

- A. Manual Control Button
- B. RF Remote Control/
IR Remote Control
(IR Receiver Needed)
- C. Dry Contact
- D. RS485/RS232 Control

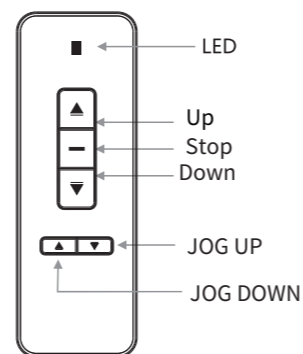


A. Manual Control

The Manual Control Button is located near the Dry contact and RS485 control. Pressing the button will command the screen to extend, pressing the button will command the screen to stop, then again to retract, then stop in sequence.

B. RF Remote Control (MF: AC123)/IR Remote Control (MI: AC-127)

- Press the Up button, screen retract to set position.
- Press the Stop button, screen will pause.
- Press the Down button, the screen will extend to set position.
- Tap the Jog Up button to adjust the screen's upward movement slightly.
- Tap the Jog Down button to adjust the screen's downward movement slightly.
- The wireless transmitter has been factory-paired with the screen and can be reset if needed.



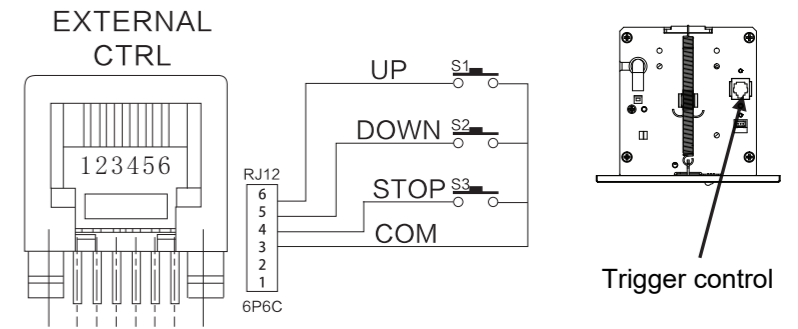
Model: AC -127/AC123

Pairing/Unpairing (Remote have been paired at factory)

Disconnect the power supply for 10 seconds and then reconnect, press the Up and Stop button simultaneously within 10 seconds of reconnection. The motor will rotate forward and then backward once signaling a successful pairing.

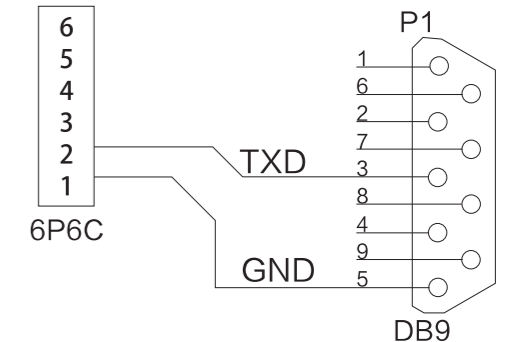
C. Dry contact control:

The control output port is connected to an RJ12 6P6C plug, starting from the left, lines 3-6 being the control lines, 5 - DOWN, 6 - UP, 3 - COMMON, 4 - STOP.



D. RS485/RS232 Control:

The control output port is connected to an RJ45 (8P8C) plug, with lines 1 and 2 being the control lines. For RS485 control connection, line 1 is D-, and line 2 is D+. For RS232 control connection, please refer to the diagram shown:



RS485/RS232 port settings:

- Baud rate: 2400
- Data bits: 8 bits
- Parity: None
- Stop bits: 1

Hexadecimal control codes:

Retract: FF EE EE EE DD

Stop: FF EE EE EE CC

Extend: FF EE EE EE EE

Some central control devices require an address code to be set: FF EE EE EE AA

Note:

When connecting RS232 or RS485, if the screen cannot be controlled to perform related actions, please swap the two control lines.

The wiring loop resistance should be less than 20Ω.

Do not run wiring parallel to strong interference sources.

