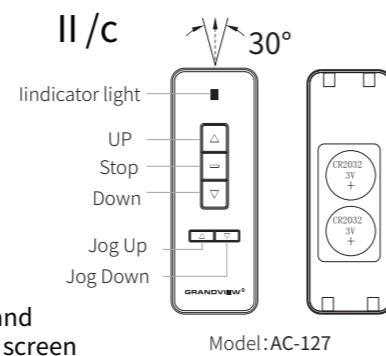


## c. Infrared Remote Control

- Press the up button, the decorative door opens first, and the fabric rises;
- Press the stop button, the decorative door or fabric will pause;
- Press the down button, the fabric rolls back, and the decorative door is closed.
- Jog the up key and down key, the fabric moves up or down; Usually used in electronic stroke positioning settings.



## Electronic Positioning:

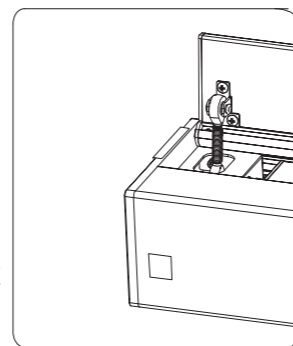
Press and hold the button for 3 seconds, the motor will rotate forward and backward once, use the Up and Down button to position the projection screen to a desire position, press and hold the button for 3 seconds, the motor will rotate forward and backward once signaling the position have been memorized.

\*If projection screen does not extend to proper position, retract the projection screen fully, wait 5 seconds and try again.

## Motorized Tabletop Screen Installation Manual (Model:FC-FVP-MIxxx)

## III. Decorative door anti-pinch function

The decorative door of this product is equipped with a flexible door opening and closing device, which can protect hands or objects from accidentally extending into the screen when closing the door.



## IV. Maintenance

Ultra-short throw ambient light rejection fabric: DO NOT USE RAG OR PAPER TOWEL TO WIPE

- Use brush provided to brush lightly horizontally along the texture of the screen to remove dust or other fine particles.
- For light-colored smudges that affects viewing, try removing with residue-free tape.

Non ambient light rejection regular throw fabric:

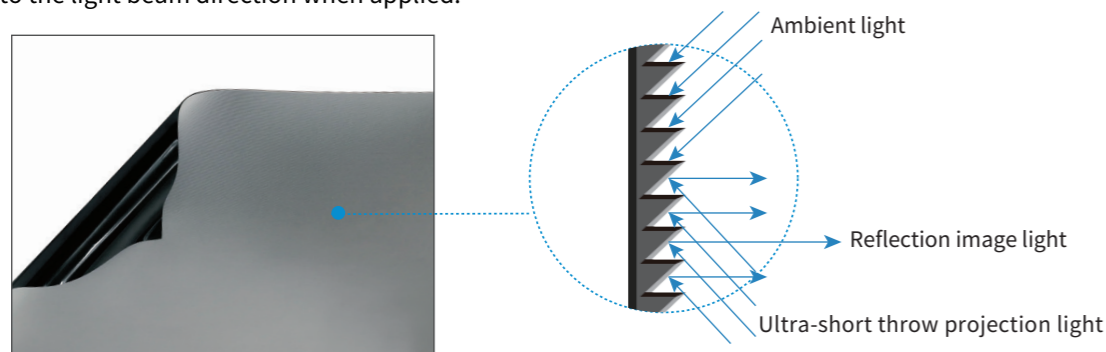
Use clean water with mild detergent to gently wipe the stains on the surface of the fabric (do not use corrosive detergents). Only retract the projection screen when the fabric is completely dry.

## V. Electrical parameters

Voltages & Frequencies: 110V/60Hz or 220V/50Hz (Actual voltage shall be subject to the electrical label shown on the product)

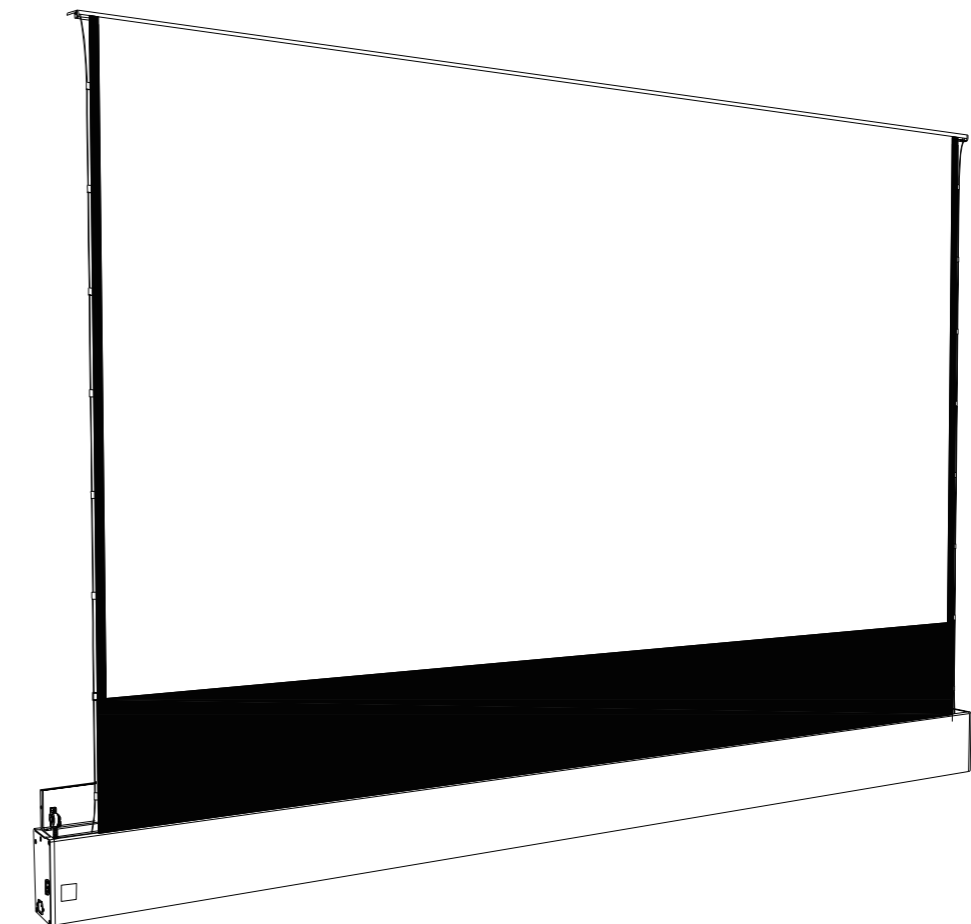
## Troubleshooting

① Black grid fabric surface is carved with optical grating tooth, enabling the targeted reflection for ultra-short throw projector light beam and forming the viewing image. Projection theory as below picture shown: Screen adsorbs only the ambient light from the top but resistance to ambient light from horizontal side will be weakened, please pay attention to the light beam direction when applied.



② The screen adopts the splicing process, and the splicing line has a certain curvature due to the source of upper and lower tension, which does not affect the actual projected picture, which is a normal phenomenon.

③ Fabric surface flatness: Lower black drop perfect range: 250-350mm

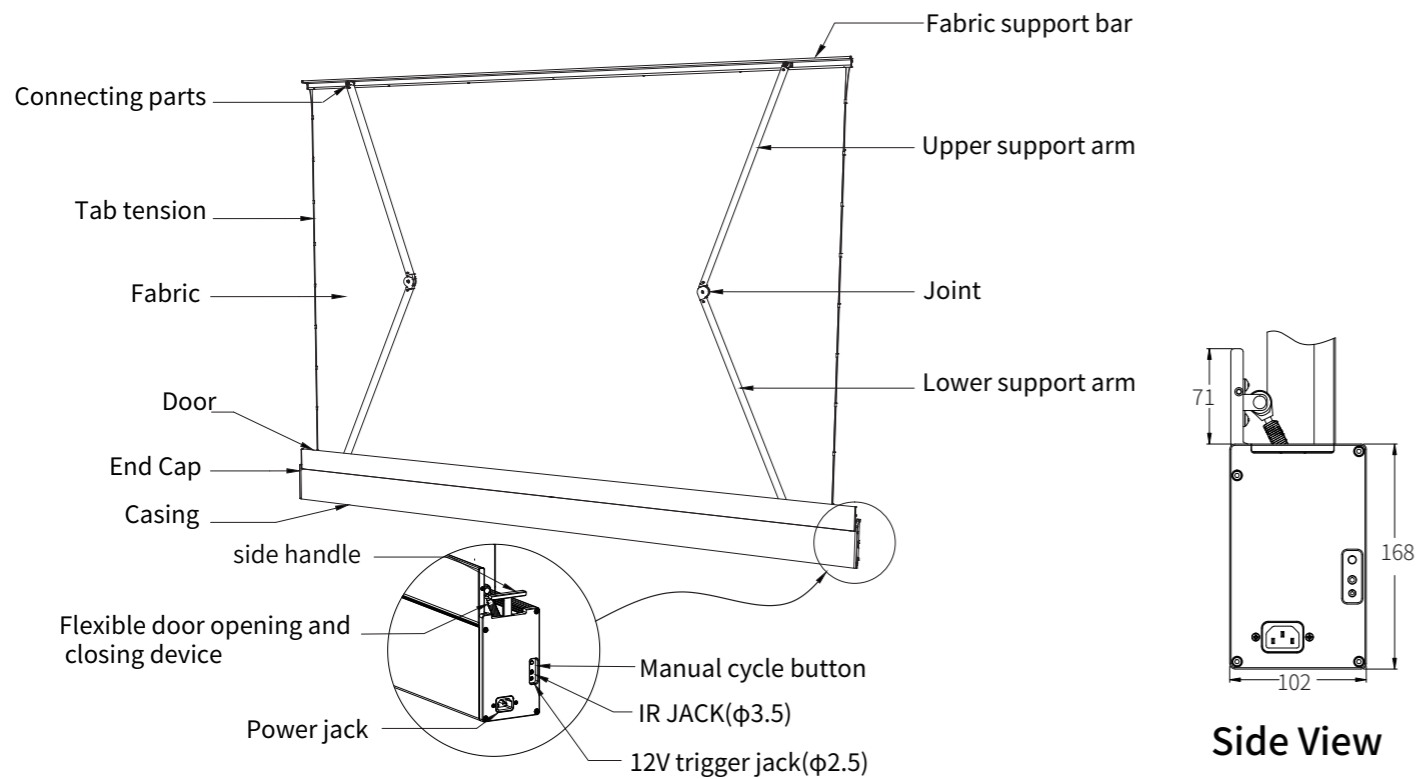


## Caution

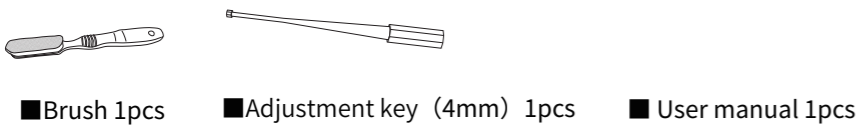
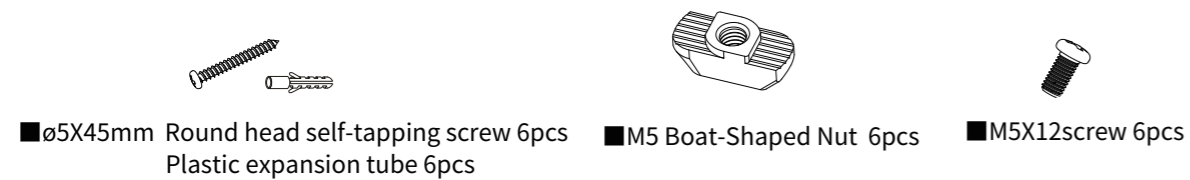
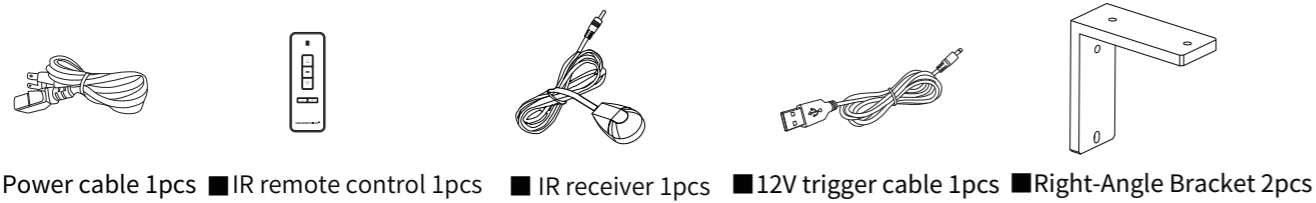
- Please tear out all the blue tape from the trap door before powering on.
- Please do not reach into the casing gap to prevent hands injury when the screen goes up.
- Please put the screen in place with no wind to prevent it from falling over.
- Please Do not disassemble or replace the original spare parts at will.

Thank you for choosing Grandview products. Please read the manual carefully before installation and use.

## Screen structure diagram



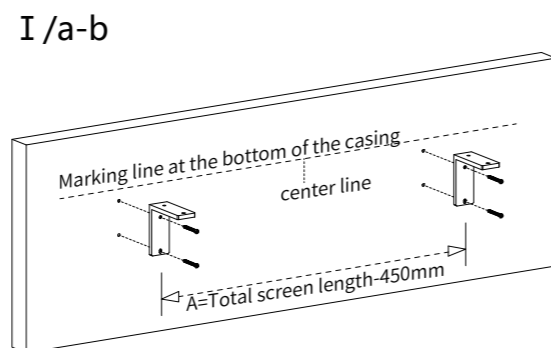
## Accessories



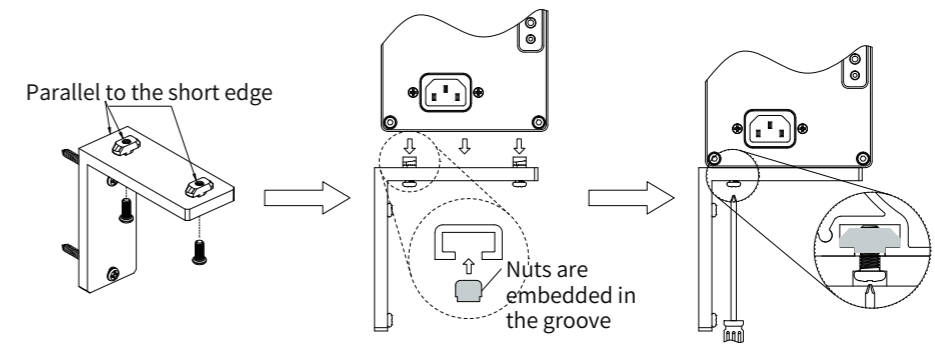
## I .Screen Installation Guidelines

a. Measure the dimensions of the screen, calculate the installation position of the screen, and mark the installation line at the bottom of the case. Take the Right-Angle Bracket, symmetrically space above the centerline A (A= total length of the screen - 450mm), align the top of the bracket with the marked line, and mark the positions of the four screw holes.

b. Drill holes for the expansion plastic tubing, then insert the expansion plastic tubing. Vertically place the Right-Angle Bracket to align with the screw holes, tighten the φ5\*45 self-tapping screws to secure it firmly.



c. Take the M5 boat-shaped nut and M5\*12 screw, connect them to the mounting bracket (keep them loose, do not tighten), adjust the four nuts to be parallel to the short edge of Right-Angle Bracket. Lift the screen, align the bottom groove with the protruding M5 Boat-Shaped Nut, gently lower screen so that all the nuts are embedded in the groove, move the screen left or right to the ideal position, then tighten the screws to secure the screen.



This Right-Angle Bracket is designed with two connecting surfaces, A and B, to adapt to different installation environments. Users need to switch the installation method according to different installations (see the table below).

Right-Angle Bracket	Connecting Side "A"		Connecting Side "B"	
 A/B Connection Surface Position Diagram	Cabinet			
	Wall			

## II. Functions and Instructions

This product has three control methods.

- Manual Control Button
- 12V Tigger Control
- Infrared Remote Control

a. Manual Control Button   
Manual Control The Manual Control Button is located on the power port side of the casing. Pressing the button will command the screen to extend, pressing the button will command the screen to stop, then again to retract, then stop in sequence.

b. 12V Tigger Control  
12V Tigger Control Connect the 12V Tigger Port and the 12V port with a 12V trigger cable; the projection screen is then synchronized with the projector (when the projector is powered on, the screen will automatically extend to set position; when the projector is powered off, the screen will retract).

