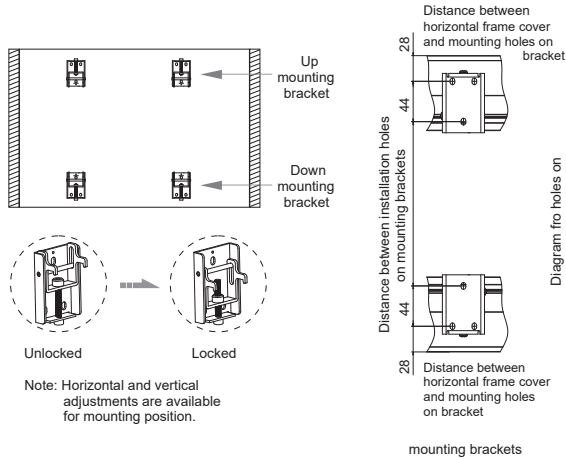
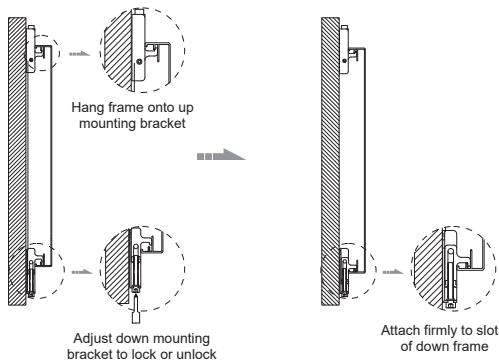


Installation of screen:

- The length of mounting bracket is as half as long frame. tether is cut according to distance between up and down mount brackets.
- The mounting brackets should be fixed around middle position of screen, and proper adjustment might be needed according to installation environment. The four pcs of mouting brackets should be installed in level. Hole's distance between up and down mounting brackets should be overall height minus 56mm. Please check below:



- Please make sure the brackets are firmly installed. Hang the screen onto upper mounting bracket and make adjustment until upper bracket is at the middle of screen. Let the screen hanged vertically and tight the screw of down mounting bracket until screw is attached to slot of down frame. Please check below:



- For uninstal of screen, unscrew down mounting brackets till it is loosen from slot of down frame. Lift the screen lightly to make it go off upper mounting bracket and finish uninstal.

Grandview

Grandview

Maintainance

In order to maintain good performance of screen, please cover the screen with cloth if it is not used for a long term to prevent dust and dirt from screen. If there are apparent varias or dirt on screen material, please use soft brush or cloth to clean it.

Clean the screen material

Rub gently according to grain of velvet frame with warm water mixed with soft detergent. (Please be noted that it should be gently rubbed instead of scrubbing hard). Please prevent from hitting the frame in case of damage of velvet. By finishing cleaning, let frames dry itself.

Please do not use any dissolvent, chemical agent or any tool with strong friction for clean, which would cause permanent damage to the screen.



The Edge Series R2 frame screen user manual

Model: PE-xx(R2)

Guangzhou Grandview Creative Technology Co., Ltd.

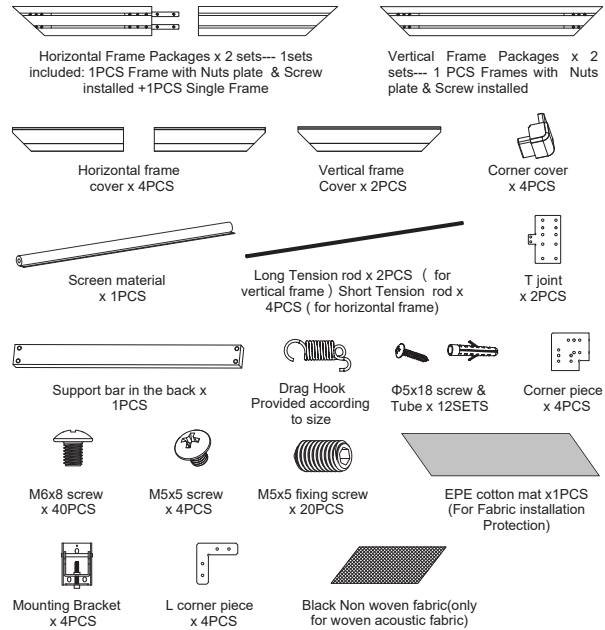
Add: No.43 S, Guomao Ave.Hualong,Panyu,Guangzhou,Guangdong,P.R.C
 Tel: +8620-8489-9499 Fax: +8620-8480-5299
 Web: www.grandviewscreen.com



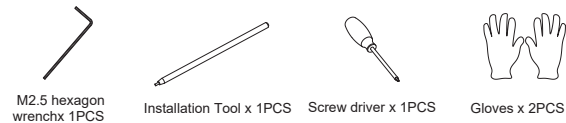
Dear Customer:

Thanks for your purchasing Grandview product of Edge-R2 Series frame screen. Please go through the user manual before use. Please keep the user manual well for future reference.

Preparation before Installation Parts included:



Tools for installation:



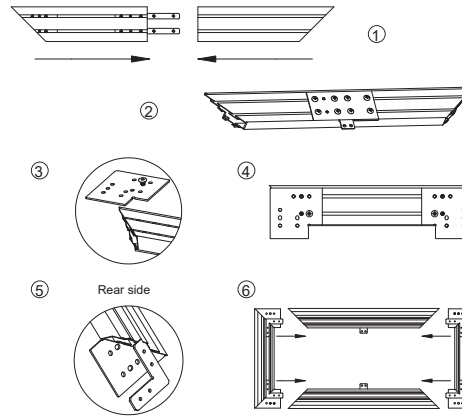
- Please prepare for suitable tools such as gradienter, tape, marker, etc. Please
- make sure precise installation distance and proper installation position for upper and nether mounting brackets.
- Use the proper screws for installation according to the site. (Use tapping screws for wooden wall and tapping screws with expansion fixture for concrete wall)

Instruction for installation

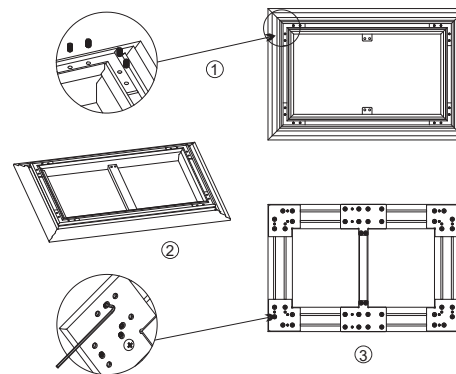
Assembly of frames:

- Put the horizontal frame on clean floor, then join the horizontal frames by inserting the nut plate into the other. And place the T joint on frame joint position. Then align the T joint with nut plate inserted in the frame. If found the holes are not aligned properly, please do some adjustment by slightly shifting T joint. Please

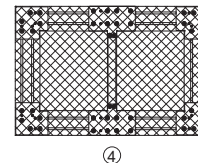
- screw them with M6 screws tightly when there is no seam. Please check diagram 1, 2.



- Put corner piece on the both sides of vertical frames and slightly fix it with one pcs of screw. Please check above diagram 3 and 4. Kindly insert L corner piece into the tunnel accordingly. please check diagram 5 above. Then join vertical frames with horizontal frames, please check diagram 6 above. Screw tight M5 fixing screws one by one, please check diagram 1 below and recommend to screw tight L corner pieces located in diagonal direction. And then we assemble supporting bar with screws, please check diagram 2 below. After that, please turn over and screw tight the four corner pieces one by one. Please check diagram 3 below. If found corner piece is not aligned with nut plate preinstalled inside of frame properly, please loosen the fixing screws and do necessary adjustment accordingly before re-tighten the fixing screws.

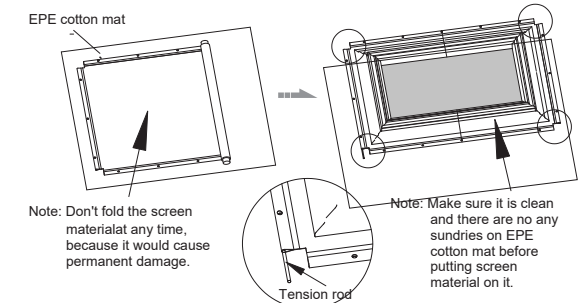


- If the screen you purchased is a woven acoustic screen, you must put the black Non woven fabric on the front of the aluminum frame before installing the screen, as shown in Figure 4.

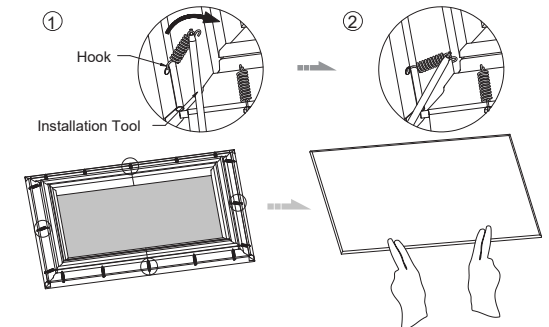


Screen material installation

- Please wear glove provided before assembly of screen material. Lay flat the EPE cotton mat and lay the screen material flat on it. Face the rear side of screen material up. (the rear side looks black and shine). Lay the connected frames as indicated below. The connected frames should be well arranged at the center of screen material. Then insert the tension rods by going through holes on corner of screen material (4 pcs short tension rods are for horizontal frames, while 2 pcs of long ones are for vertical frames). Please check below:



- Use the bigger hook of spring to hitch tension rod from the hole of screen material one by one. Use hook hand to drag the small hook of spring to hitch the slot of frame to tension the screen material. Please start to hitch the frame from the middle position to two sides (left and right) for balance of tension. Please see below:



Note: If there is some wrinkles appear, please wear the provided gloves and use fingers to gently press and move on edge area of screen material by left hand to the left side and right hand to the right side.

Installation of frame cover:

- Please assemble the corner cover into horizontal frame covers, and mount the horizontal frame cover onto horizontal frames. And then mount the vertical frame cover onto vertical frames to finished assembly. Please check below:

