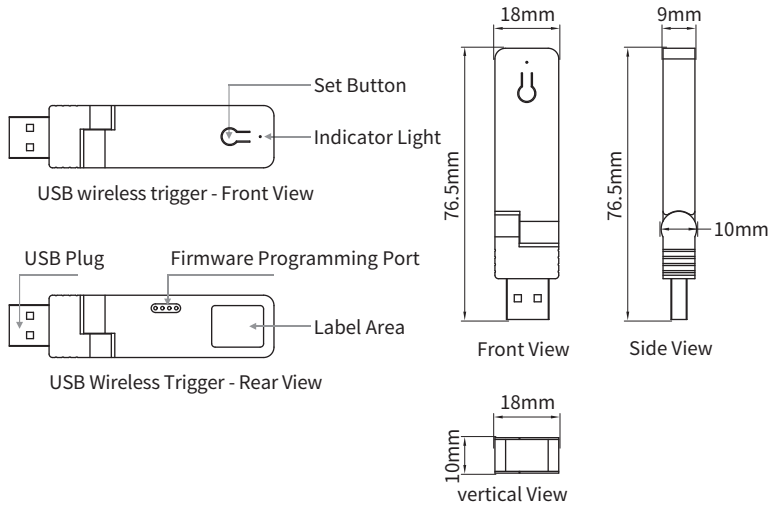


Product Overview



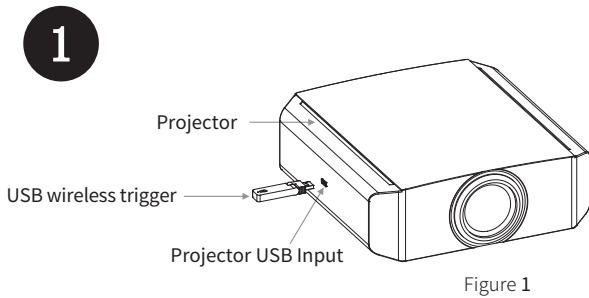
Product Specifications

Model: GF158, GF159, AC158-01
 Dimensions: 76.5x18x10mm
 Transmission Frequency: 868MHz/433.92MHz
 Transmission Power: -8 to +10dBm/≥-10dBm
 Input Voltage: USB DC5v
 Net Weight: 11g
 Gross Weight: 13g
 Package Size: 79x22x11mm

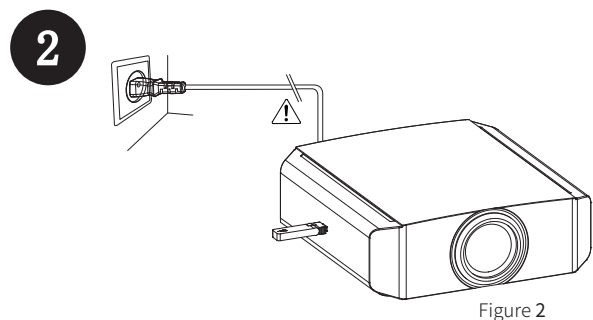
Notes:

- GF158 and GF159 operate at 868 MHz with a transmission power of -8 to +10 dBm; AC158-01 operates at 433.92 MHz with a transmission power of ≥ -10 dBm
- Direction Switching: After the USB wireless trigger is powered with DC 5V, press and hold the Set button for 5 seconds.

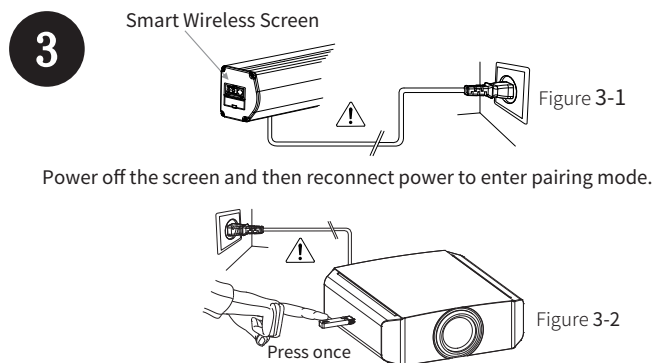
Operating Instructions



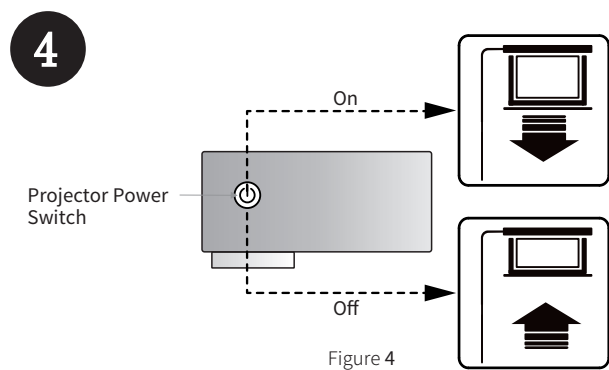
1. Insert the USB wireless trigger into the projector's USB port.



2. Connect the projector to power and turn it on.



3. USB Wireless Trigger Pairing:
 After reconnecting power to the screen (Figure 3-1), press the Set button on the USB wireless trigger once within 10 seconds (Figure 3-2). The screen will jog up and down once, indicating successful pairing.



4. When the projector is powered on, the screen will automatically deploy; when the projector is powered off, the screen will automatically retract.